

SYZ 系列离心式空调风机



概述

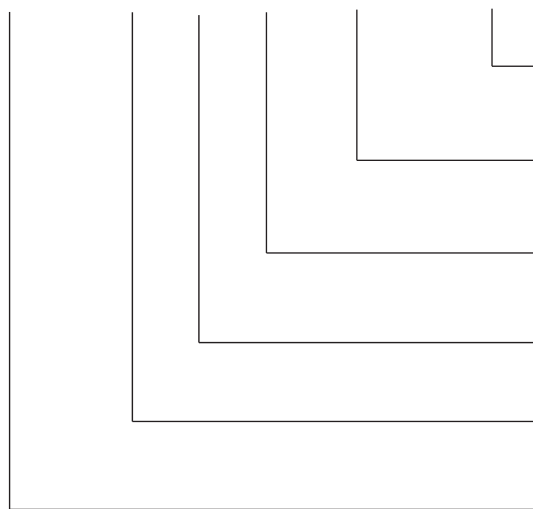
SYZ系列离心式空调风机是基于SYT系列风机基础上，参照国际同类产品先进技术自行开发的低噪声风机。额定流量从800m³/h ~ 5000m³/h采用单相电机直联传动，具有效率高、噪声低、调速方便、结构紧凑等特点，是变风量空调器、管道式空调机组、VAV系统及其他暖通空调、净化设备理想的配套产品。

Outline

SYZ series centrifugal air-conditioning fans are based on SYT series, which are newly developed and manufactured products with internationally advanced by this company. It was developed by using high technology and with low noise and compact structure. It was specially designed for the air-conditioning. The flow rate and total pressure range of this series fan are from 1000m³/h to 20000m³/h. It is the ideal equipment for the changeable air conditioners, tube type units, VAV system, heating and other kind of fan system.

命名方式

SYZ 7 - 7 I (90W - 6)



Designation of Products

- 电机极数
Motor polar number
- 电机功率 (Kw)
Motor power(Kw)
- 改型标记 (I II III)
Mark of revision
- 叶轮宽度 (inch)
Width of impeller(inch)
- 叶轮名义直径 (inch)
Nominal diameter of impeller (mm)
- 风机系列代号
Fan series with multi-vane forward curved blades

产品结构

SYZ系列风机主要由机壳、叶轮、支板、电机、四部分组成。

1. 机壳

机壳采用热镀锌钢板制造，侧板具有符合空气动力的外形，进风口整体拉伸成型，蜗板采用点焊方式与侧板连成一体。在侧板上预设一系列的铆螺母孔，以便按照用户要求的出风口方向进行安装。

Construction of Product

SYZ series ventilators consists of housing , impeller ,baseplate and motor.

1. Housing

The housing is made of hot galvanized steel sheet. The side plates include inlets cones that are designed with the best aerodynamics for inlet condition. The scroll is fixed to the side plates by spot welding. On the side of the housing there are a series of holes drilled in advance for riveting nuts to carry out installation according to air outlet direction needed by the customer.

1. 叶轮

前向多翼叶轮采用优质热镀锌板钢板制成，叶片设计成符合空气动力学的特定形状，使得效率最高，噪声最低。叶片用铆爪固定在中盘及端圈上，在最大功率连续运转时，叶轮将具备足够的刚度。所有叶轮进行静平衡和动平衡测试，内控精度达到G2.5级(ANSI/AMCA-204)。

2. 支板

支板采用优质镀锌板制成，独特加强工艺保证足够的强度，支板安装角度可以根据用户的不同需求进行调整。

3. 电机

SYZ系列风机配用单相220V/50HZ三速电机，该电机具有调速灵活、安装方便等特点。可采用可控硅调压器及变频器等手段进行无级调速。

1. Impeller

Forward curved impeller is constructed of high-grade hot galvanized steel sheet with the advanced aerodynamics profile to achieve the highest efficiency and the lowest noise level. The impeller is fixed on the center plate and on the end ring with riveting grip pres. The impeller is constructed with maximum strength that endures the continuous operation with maximum power. All impellers are balanced to the ANSI/AMCA 204 Notional Standard. Yilida's internal standard is G2.5 or higher for wheel balancing.

2. Frame

SYZ series fan baseplates are made of high-quality galvanized steel sheet, which can be assembled with the direction by the customer demand.

3. Motor

SYZ series fans are equipped with single-phase 220V/50HZ three speeds motors, which are flexible to change speed and easy to install. Speed can be changed by using provided silicon controlled voltage regulator and frequency converter.

说明

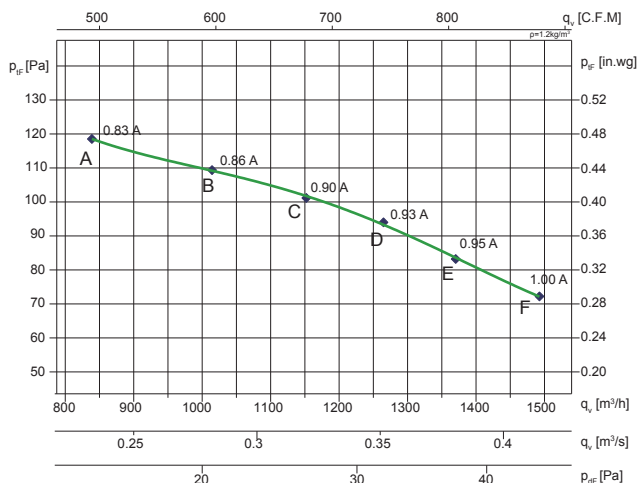
- 1). 风机配用电机功率是指在特定工况下,内功率加上电机容量安全系数而言,并非出风口全开时所需的功率,因此为防止电机因超功率运转而烧毁,严禁风机未加任何外界阻力进行空运转。
- 2). 样本中的风机性能是选用电机额定转速测试的结果,我们亦可通过改变电机的转速达到用户实际的需求。
- 3). 风机在运输、装卸过程中应小心轻放,严禁撞击挤压,严禁堆放于潮湿或有腐蚀性的场合。
- 4). 风机安装前应用手拨动叶轮,检查是否有过紧或碰撞现象,确认没有这些现象时方可进行试运转。
- 5). 风管与风机进风口、出风口之间连接时应尽量采用软连接,接头不得拉得过紧。
- 6). 风机安装后应检查机壳和其他壳体内部,不应遗留的工具和杂物。
- 7). 风机正式运转前,需检查叶轮的转向是否符合侧板上的转向标记。
- 8) 订货时需注明风机型号、配用电机型号、风机的风量、风压等参数。

Instructions

- 1) The rated motor power as calculated herein might not be sufficient to drive the fan with an unrestricted discharge flow. Operating the fan with an unrestricted discharge outlet will result in flow rate that exceeds the specified fan capabilities. Such operation will quickly burn the motor and damage the fan. Great care must be taken in operating the fan to make sure that the maximum rated flows, as provided on the performance charts in this catalog, are not exceeded.
- 2) The fan performance in the catalog is tested under the motor rated speed. we can meet the actual requirement of the user by changing the motor speed.
- 3) Special care should be taken during transportation, load and unload.
The fan is limited for use in areas where air substances are non-corrosive, non-toxics and non-erosive.
- 4) Following the installation, the impeller should be turned by hand or with the use of a wrench to make sure that it turns freely without colliding with other parts of the fan. Once all this is done, the fan can be commissioned normally.
- 5) A flexible connector should be used between the fan out let flange and its mating ductwork. The flex connector should not be over-stretched.
- 6) The inside of the scroll and casing need to be checked to make sure that there are no foreign objects inside the housing, such as tools or loose parts.
- 7) The rotational directions of the motor and impeller should be checked to ensure that they are in compliance with the specification and purchase orders.
- 8) During ordering it is necessary to state the type of fan, motor type, air flow, air pressure and other parameters.

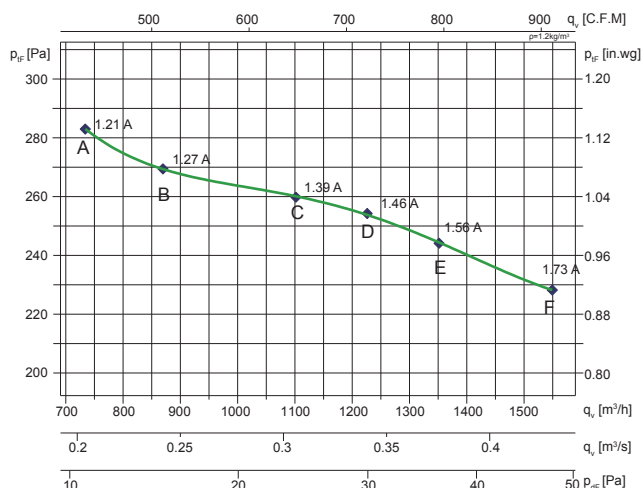
Technical Data 技术参数

SYZ 7-7 I 90w-6



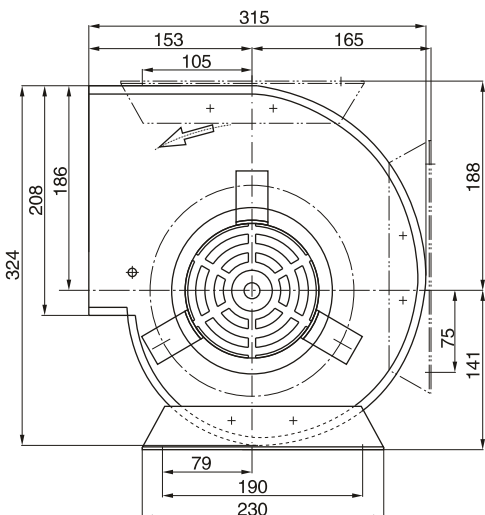
Type: SYZ 7-7 I	m: 8.85 kg	P _N : 90W-6P						
	U: 220 v	f ₁ : 50HZ						
	I _N : 1.1 A	IP: IP20						
Duty point	125Hz	250Hz	500Hz	1kHz	2kHz	4kHz	8kHz	L _w dB (A)
A	48.1	54.3	55.3	59.1	56.0	53.5	46.7	63.4
B	48.2	54.9	57.5	61.4	58.2	56.9	48.7	65.5
C	49.6	56.1	59.5	63.3	59.8	59.2	50.6	67.3
D	51.0	57.4	60.7	65.0	61.3	61.6	53.2	69.1
E	52.5	58.7	62.4	66.5	62.7	63.2	55.1	70.6
F	53.0	61.3	63.7	67.6	64.3	65.2	62.3	72.4

SYZ 7-7 I 200w-4

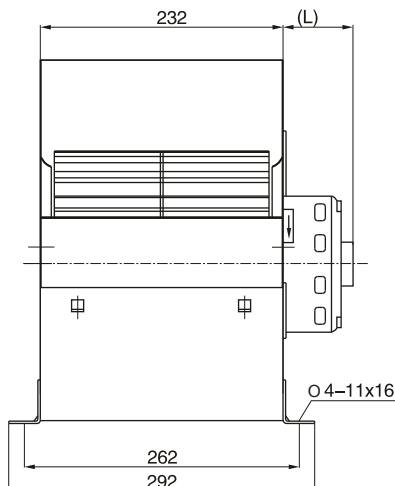


Type: SYZ 7-7 I	m: 9.4 kg	P _N : 200W-4P						
	U: 220 v	f ₁ : 50HZ						
	I _N : 1.8 A	IP: IP20						
Duty point	125Hz	250Hz	500Hz	1kHz	2kHz	4kHz	8kHz	L _w dB (A)
A	58.2	64.6	62.7	66.4	63.1	62.0	53.3	71.4
B	56.9	63.9	62.3	66.6	63.5	62.7	54.4	71.3
C	55.4	63.6	62.8	67.8	64.8	64.3	56.6	72.2
D	55.2	64.6	63.3	68.3	65.5	65.5	58.0	73.0
E	55.1	65.1	64.0	69.9	66.5	66.8	59.6	74.2
F	55.3	65.2	65.3	71.0	68.1	68.6	61.8	75.4

Overall Size 外形及安装尺寸



电机功率	90W-6	200W-4
L	46	68

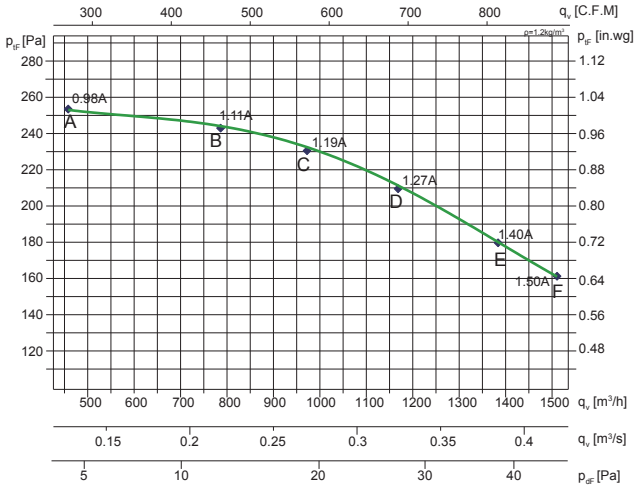


注：外形尺寸的单位为mm。
Note: the overall size unit is mm.

SYZ
SERIES

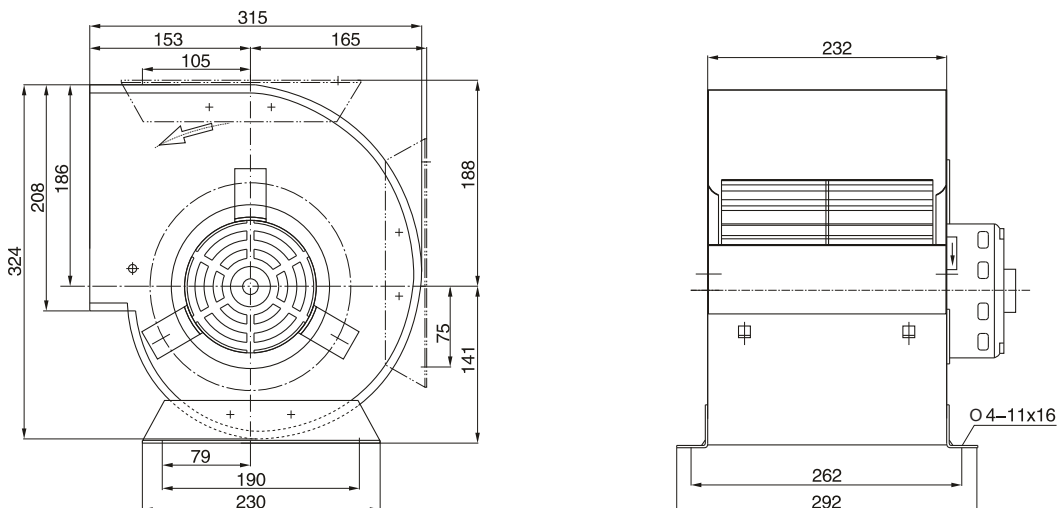
Technical Data 技术参数

SYZ 7-7 I 150w-4



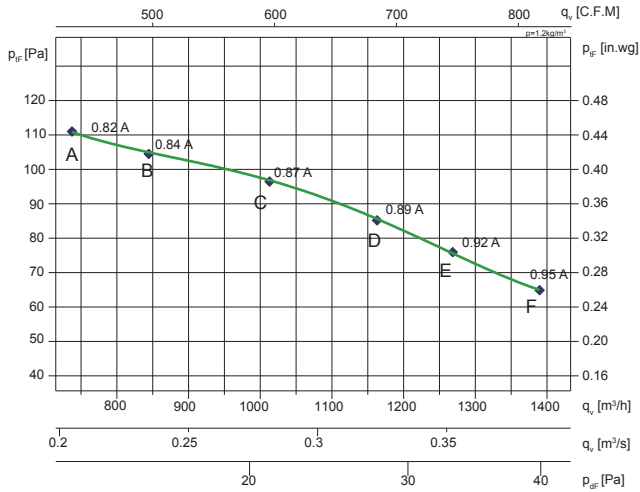
Type: SYZ 7-7 I	m: 9.1 kg		P _N : 150W-4P					
	U: 220 v		f ₁ : 50HZ					
	I _N : 1.6 A		IP: IP20					
Duty point	125Hz	250Hz	500Hz	1kHz	2kHz	4kHz	8kHz	L _w dB (A)
A	56.3	63.7	62.5	65.7	62.4	61.3	59.9	70.9
B	55.4	63.3	61.8	65.8	63.1	62.4	60.2	71.0
C	54.6	62.8	62.1	66.7	64.8	64.2	60.8	71.9
D	54.9	63.6	63.3	67.4	64.9	65.0	61.5	72.5
E	54.8	63.7	64.3	68.4	65.9	66.3	61.8	73.4
F	55.7	64.5	65.6	69.8	67.0	67.5	62.6	74.6

Overall Size 外形及安装尺寸



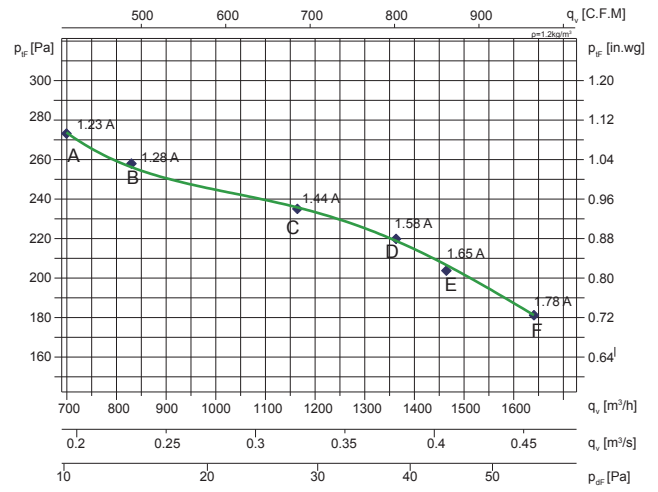
Technical Data 技术参数

SYZ 7-7 III 90w-6



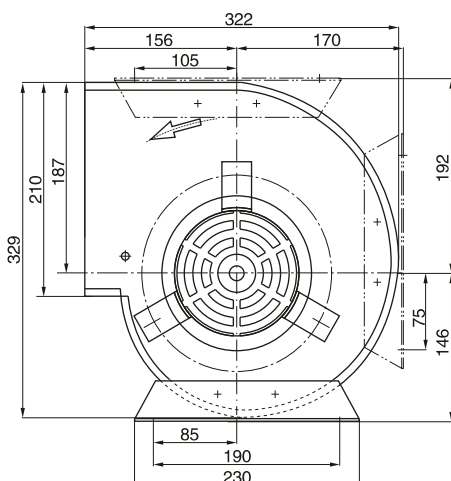
Type: SYZ 7-7 III	m: 8.17 kg		P _N : 90W-6P					
	U: 220 v		f ₁ : 50HZ					
	I _N : 1.1 A		IP: IP20					
Duty point	125Hz	250Hz	500Hz	1kHz	2kHz	4kHz	8kHz	L _{WA} dB (A)
A	46.5	51.9	52.9	56.4	53.3	51.0	46.8	60.8
B	47.6	52.0	54.3	57.4	54.3	52.4	47.9	61.9
C	44.3	54.3	57.2	60.1	56.9	55.4	50.7	64.5
D	49.2	55.7	60.8	62.6	59.2	58.1	53.1	67.1
E	50.7	56.8	61.7	64.5	61.2	60.2	55.2	68.8
F	51.7	57.8	63.0	66.4	62.9	61.9	57.7	70.5

SYZ 7-7 III 200w-4

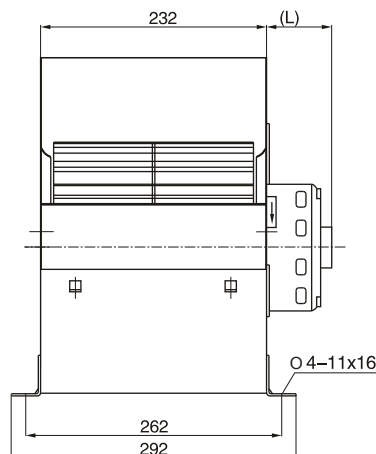


Type: SYZ 7-7 III	m: 8.7 kg		P _N : 200W-4P					
	U: 220 v		f ₁ : 50HZ					
	I _N : 1.8 A		IP: IP20					
Duty point	125Hz	250Hz	500Hz	1kHz	2kHz	4kHz	8kHz	L _{WA} dB (A)
A	55.6	65.1	64.0	67.0	64.3	63.2	55.7	72.1
B	56.5	65.2	63.6	66.8	64.4	63.0	55.7	72.0
C	53.1	63.4	63.7	68.2	65.8	64.9	58.3	72.7
D	52.2	63.3	65.5	69.9	67.6	66.8	60.7	74.4
E	53.2	63.8	66.4	71.2	68.6	67.9	62.3	75.5
F	54.0	64.3	67.3	72.0	69.3	68.7	63.3	76.3

Overall Size 外形及安装尺寸



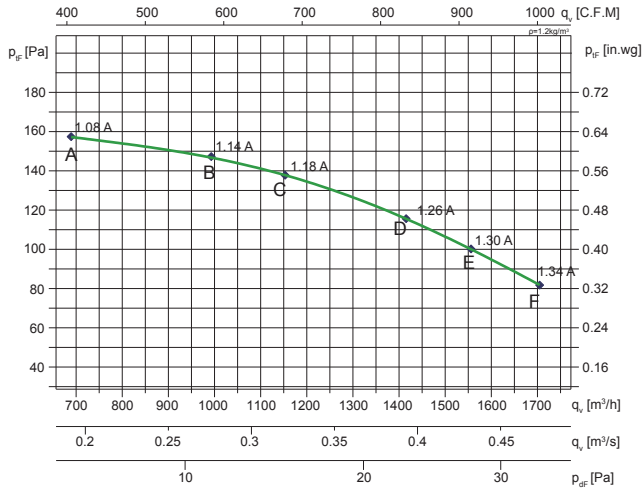
电机功率	90W-6	200W-4
L	46	68



SYZ
SERIES

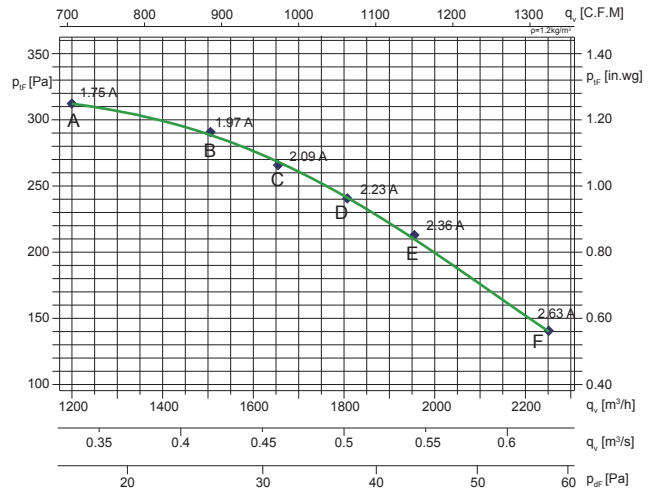
Technical Data 技术参数

SYZ 8-7 III 200w-6



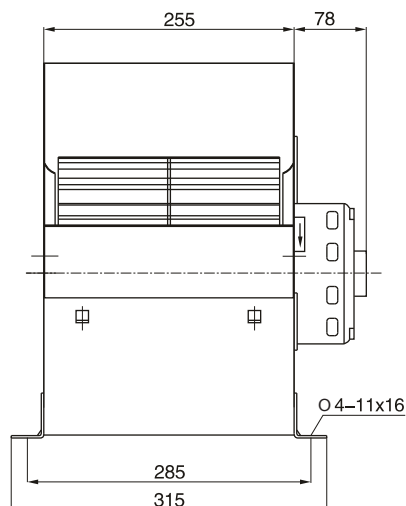
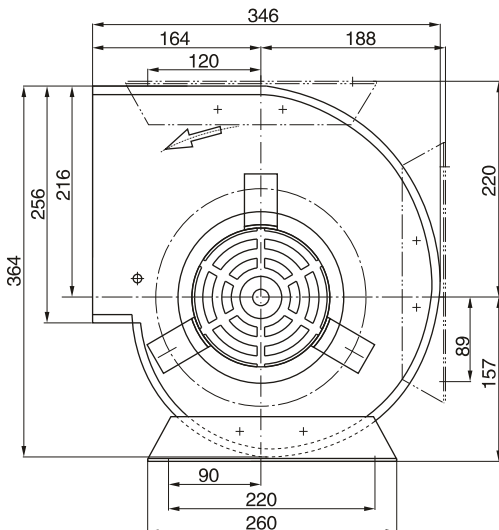
Type: SYZ 8-7 III	m: 9.15 kg		P_N : 200W-6P					
	U: 220 v		f_1 : 50HZ					
	I_N : 2.0 A		IP: IP20					
Duty point	125Hz	250Hz	500Hz	1kHz	2kHz	4kHz	8kHz	L_{wa} dB (A)
A	58.9	57.9	59.7	61.0	56.9	53.6	45.8	66.4
B	59.0	57.6	59.4	62.0	58.5	55.8	47.8	67.0
C	58.7	59.0	60.0	62.7	59.7	57.8	49.2	67.8
D	59.5	60.7	61.2	64.0	61.9	60.6	52.8	69.4
E	59.7	62.4	61.8	65.0	63.1	61.9	54.7	70.5
F	60.1	63.6	63.7	66.3	64.4	63.3	56.3	71.8

SYZ 8-7 III 300w-4



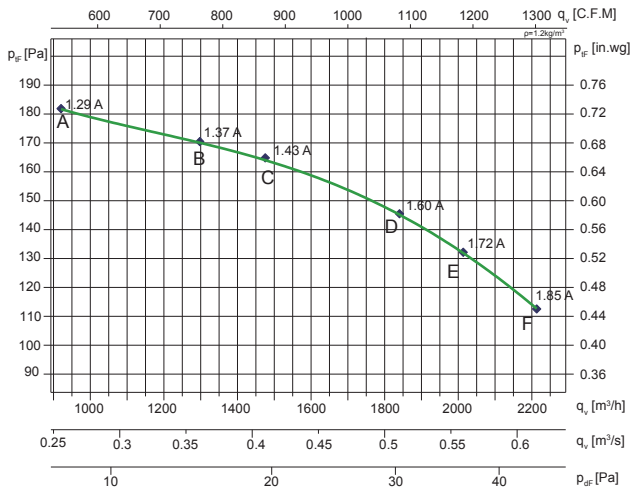
Type: SYZ 8-7 III	m: 11.95 kg		P_N : 300W-4P					
	U: 220 v		f_1 : 50HZ					
	I_N : 3.7 A		IP: IP20					
Duty point	125Hz	250Hz	500Hz	1kHz	2kHz	4kHz	8kHz	L_{wa} dB (A)
A	59.1	66.7	67.8	69.6	70.1	68.2	62.9	76.0
B	62.1	68.6	64.7	68.9	67.1	65.8	61.3	74.8
C	62.5	68.9	65.2	69.1	67.6	66.5	61.9	75.2
D	61.9	69.0	66.1	69.4	68.2	67.5	62.5	75.6
E	61.8	69.6	67.4	70.8	69.5	69.3	64.0	76.8
F	61.7	69.8	69.1	72.6	71.1	71.0	65.9	78.2

Overall Size 外形及安装尺寸



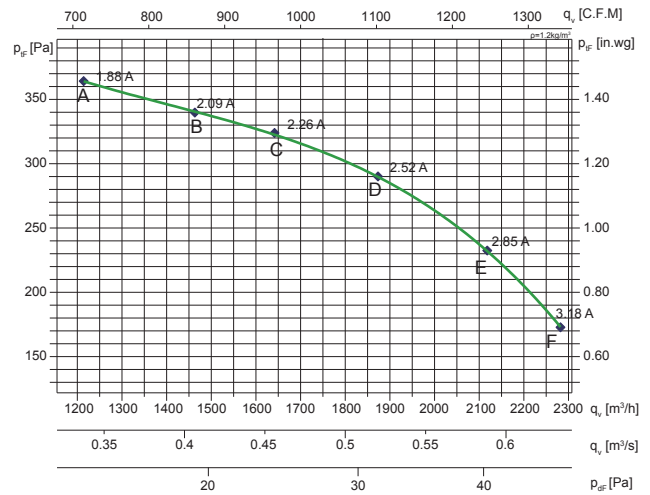
Technical Data 技术参数

SYZ 8-8 I 200w-6



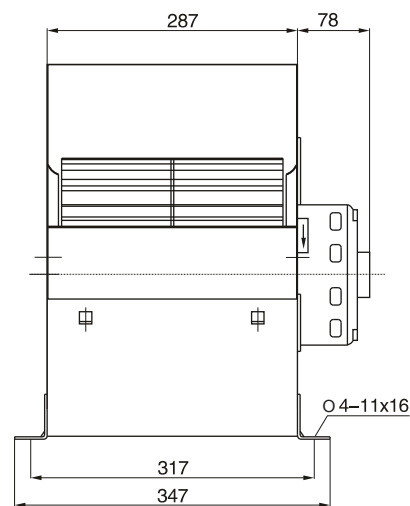
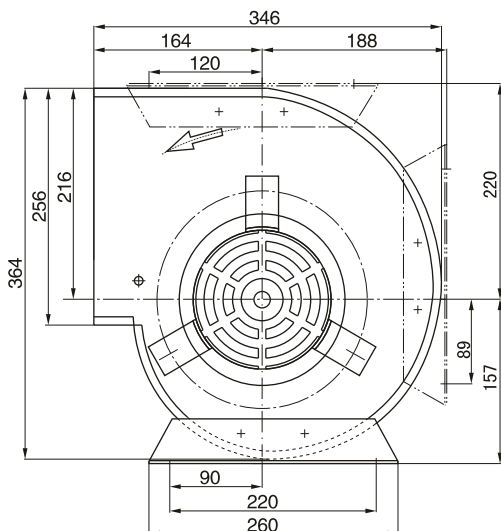
Type: SYZ 8-8 I	m: 14.05 kg	P _N : 200W-6P						
	U: 220 v	f ₁ : 50HZ						
	I _N : 2.0 A	IP: IP20						
Duty point	125Hz	250Hz	500Hz	1kHz	2kHz	4kHz	8kHz	L _w dB (A)
A	55.7	64.2	61.3	68.5	61.4	57.6	57.1	71.4
B	55.5	64.1	62.2	68.2	64.1	61.4	57.7	72.0
C	56.5	64.5	64.4	68.4	65.1	63.0	58.5	72.8
D	58.0	65.2	64.5	67.8	67.2	67.0	60.9	73.8
E	58.7	66.1	64.6	67.9	68.5	68.8	62.1	74.8
F	58.5	66.1	66.2	69.5	69.9	70.7	63.5	76.2

SYZ 8-8 I 300w-4



Type: SYZ 8-8 I	m: 13.35 kg	P _N : 300W-4P						
	U: 220 v	f ₁ : 50HZ						
	I _N : 3.7 A	IP: IP20						
Duty point	125Hz	250Hz	500Hz	1kHz	2kHz	4kHz	8kHz	L _w dB (A)
A	62.6	69.7	66.1	67.9	67.1	66.9	61.5	75.2
B	62.0	67.7	65.4	68.5	67.7	67.8	62.0	75.0
C	60.6	68.4	65.3	68.9	68.3	68.5	62.4	75.4
D	60.9	69.0	64.8	69.6	69.1	69.5	63.4	76.1
E	61.8	68.4	65.8	70.8	70.1	70.8	64.2	76.9
F	61.1	67.9	66.2	71.1	70.5	71.4	64.5	77.2

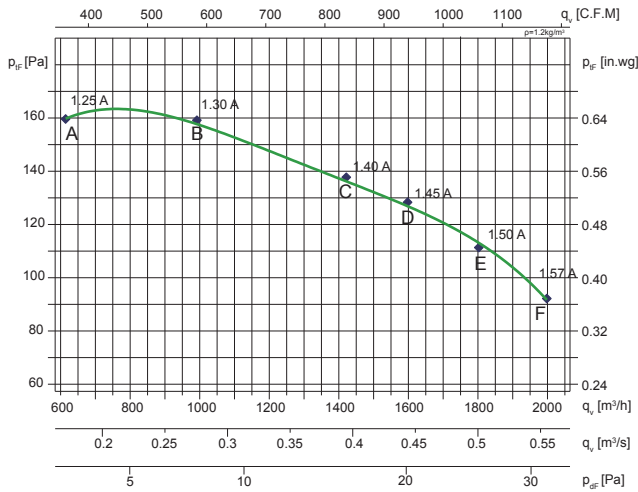
Overall Size 外形及安装尺寸



SYZ
SERIES

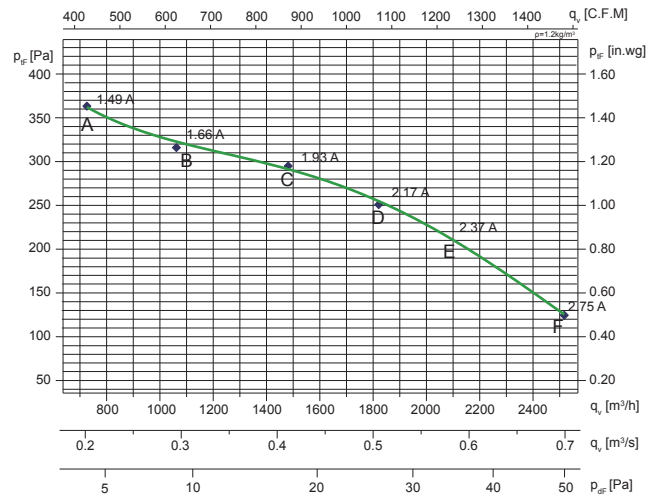
Technical Data 技术参数

SYZ 8-9 III 200w-6



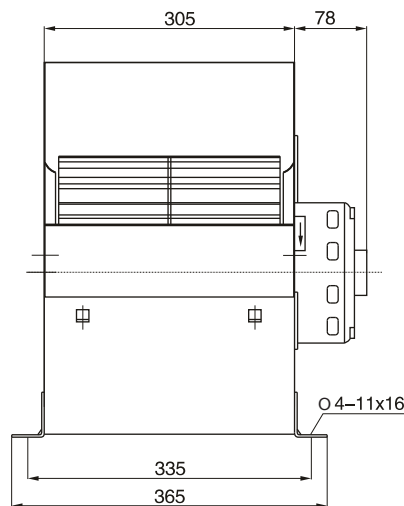
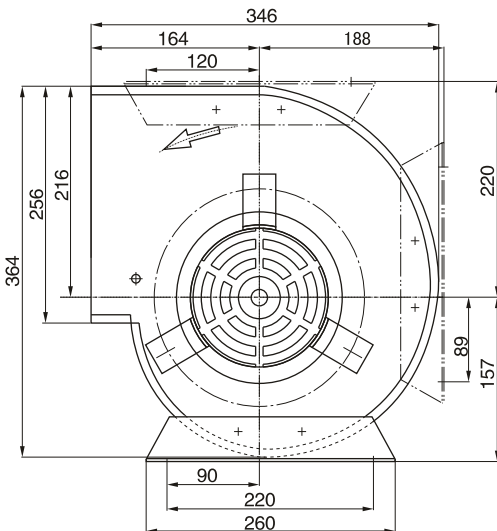
Type: SYZ 8-9 III	m: 9.85 kg		P_N : 200W-6P					
	U: 220 v		f_1 : 50HZ					
	I_N : 2.0 A		IP: IP20					
Duty point	125Hz	250Hz	500Hz	1kHz	2kHz	4kHz	8kHz	L_{WA} dB (A)
A	57.4	59.8	56.0	59.2	56.6	54.6	48.4	65.5
B	57.1	59.0	56.7	59.9	58.3	55.4	47.8	65.8
C	58.0	61.5	58.6	62.4	61.4	59.5	51.5	68.4
D	58.5	62.3	59.9	63.5	62.5	60.6	53.0	69.4
E	59.0	63.1	62.6	64.3	63.4	61.5	54.0	70.5
F	59.6	63.9	63.8	65.4	64.4	62.3	55.1	71.7

SYZ 8-9 III 300w-4



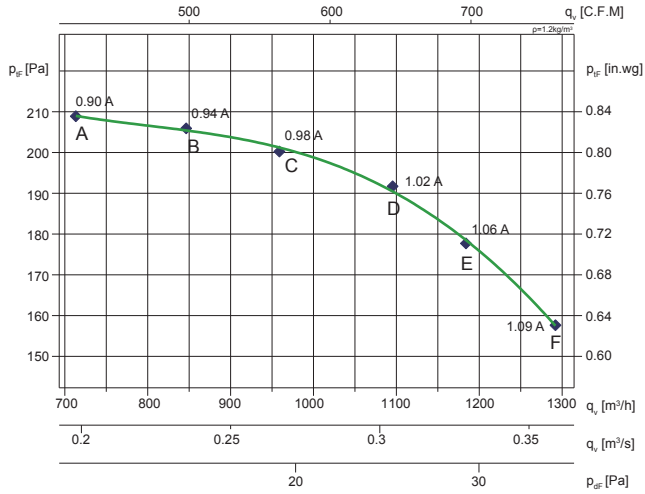
Type: SYZ 8-9 III	m: 11.95 kg		P_N : 300W-4P					
	U: 220 v		f_1 : 50HZ					
	I_N : 3.7 A		IP: IP20					
Duty point	125Hz	250Hz	500Hz	1kHz	2kHz	4kHz	8kHz	L_{WA} dB (A)
A	60.7	68.1	64.8	67.1	66.1	64.5	56.8	73.7
B	60.7	68.1	64.8	67.1	66.1	64.5	56.4	73.6
C	60.4	67.4	62.8	67.0	66.5	64.8	57.5	73.3
D	61.7	69.7	63.8	68.5	67.5	66.3	59.5	74.9
E	61.9	69.4	64.5	69.6	68.4	67.7	60.7	75.6
F	62.3	70.1	66.9	72.3	71.0	70.8	62.9	77.8

Overall Size 外形及安装尺寸



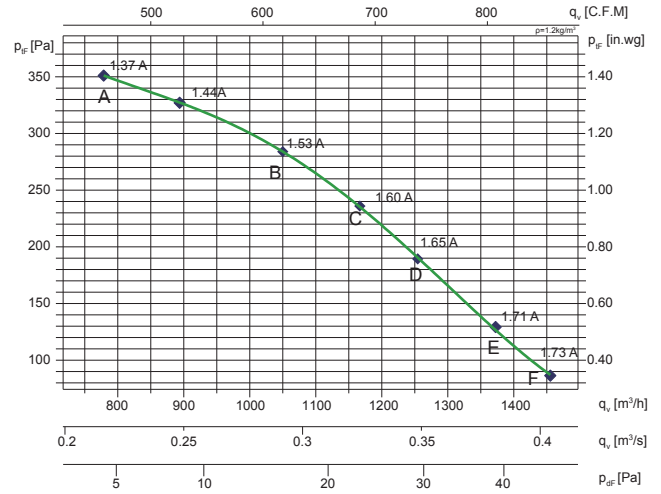
Technical Data 技术参数

SYZ 9-4 II 90W-6



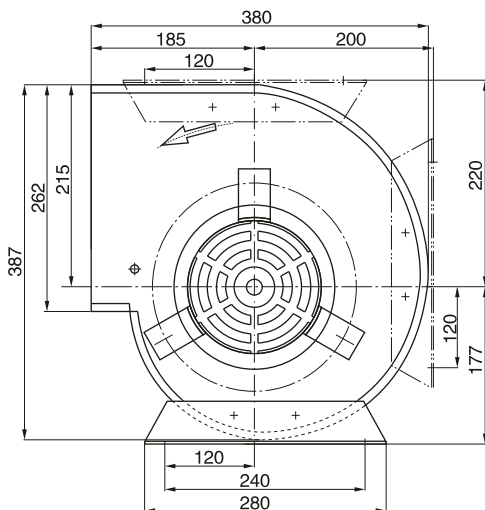
Type: SYZ 9-4 II	m: 9.75 kg	P _N : 90W-6P						
	U: 220 v	f ₁ : 50HZ						
	I _N : 1.1 A	IP: IP20						
Duty point	125Hz	250Hz	500Hz	1kHz	2kHz	4kHz	8kHz	L _w dB (A)
A	46.3	55.8	57.9	61.8	58.6	54.3	43.4	65.5
B	45.6	55.3	58.6	62.1	59.4	55.7	44.0	66.0
C	45.2	56.6	59.5	62.6	60.3	57.2	45.2	66.8
D	46.6	57.1	60.8	63.7	61.5	59.2	47.7	68.1
E	49.1	58.8	61.8	64.7	62.4	60.4	49.4	69.1
F	49.1	59.7	62.3	65.0	63.1	61.3	50.8	69.7

SYZ 9-4 II 150W-4

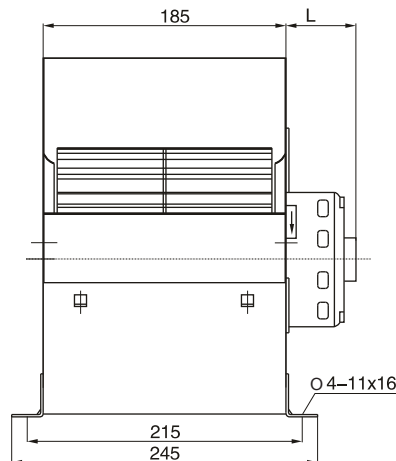


Type: SYZ 9-4 II	m: 10.35 kg	P _N : 150W-4P						
	U: 220 v	f ₁ : 50HZ						
	I _N : 1.6 A	IP: IP20						
Duty point	125Hz	250Hz	500Hz	1kHz	2kHz	4kHz	8kHz	L _w dB (A)
A	54.7	62.0	64.4	67.1	65.8	63.9	54.2	72.1
B	52.5	61.8	64.2	67.3	65.7	63.6	53.9	72.0
C	52.7	60.5	63.6	67.3	65.8	63.9	53.4	71.9
D	49.9	59.9	63.1	67.4	65.7	63.9	53.1	71.7
E	49.9	60.3	63.4	67.5	66.0	64.4	54.0	72.0
F	50.7	61.3	64.2	67.8	66.2	64.8	54.6	72.5

Overall Size 外形及安装尺寸



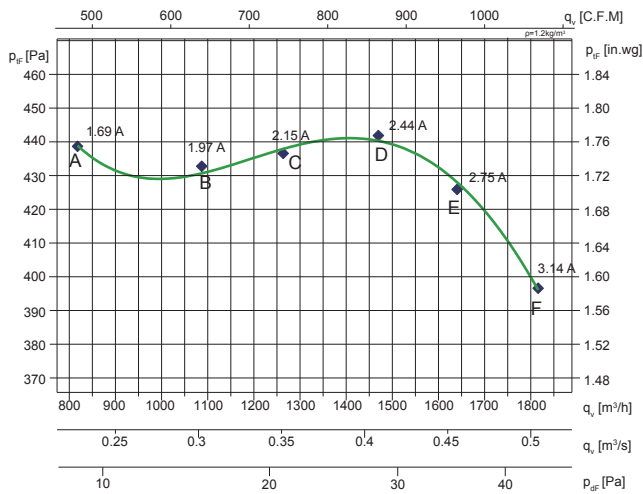
电机功率	90W-6	150W-4
L	66	88



SYZ
SERIES

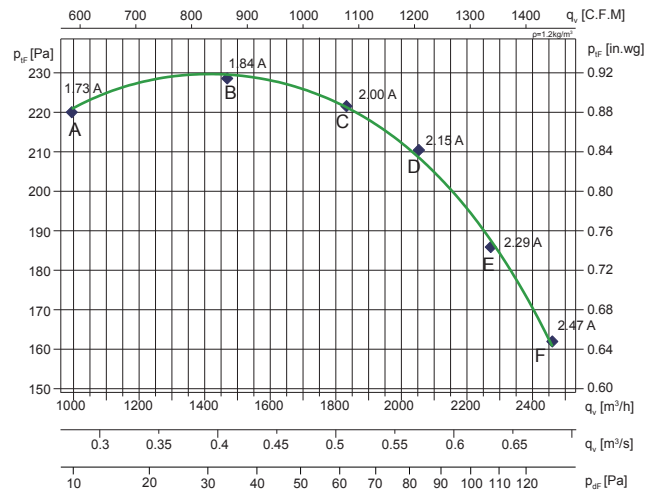
Technical Data 技术参数

SYZ 9-7 I 375w-4



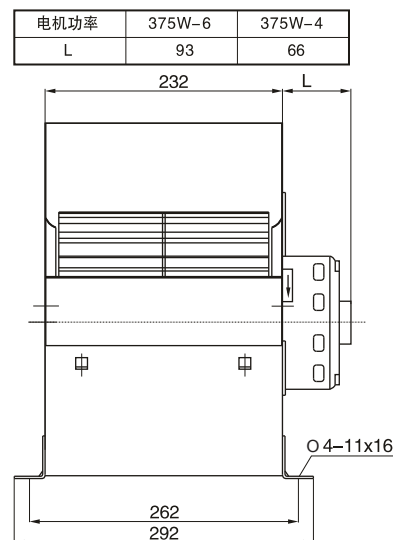
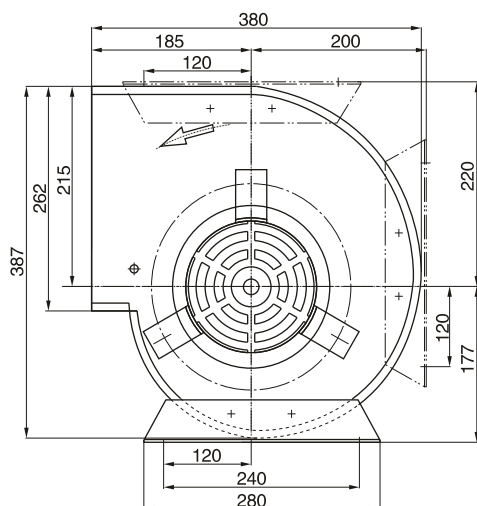
Type: SYZ 9-7 I	m: 14.85 kg	P_N : 375W-4P						
	U: 220 v	f_1 : 50HZ						
	I_N : 4.2 A	IP: IP20						
Duty point	125Hz	250Hz	500Hz	1kHz	2kHz	4kHz	8kHz	L_{wa} dB (A)
A	63.0	68.9	67.0	67.7	65.8	64.4	56.6	74.4
B	61.9	68.4	67.5	68.5	66.4	65.9	58.5	74.8
C	60.6	67.3	66.5	69.2	66.6	66.4	59.4	74.6
D	58.2	66.1	67.1	69.4	67.2	67.5	60.6	74.9
E	56.0	64.6	66.3	70.0	67.7	68.4	61.4	75.0
F	55.8	64.5	66.4	70.8	68.5	69.4	62.6	75.7

SYZ 9-7 I 375w-6



Type: SYZ 9-7 I	m: 15.7 kg	P_N : 375W-6P						
	U: 220 v	f_1 : 50HZ						
	I_N : 3.5 A	IP: IP20						
Duty point	125Hz	250Hz	500Hz	1kHz	2kHz	4kHz	8kHz	L_{wa} dB (A)
A	55.0	63.4	59.3	61.7	60.1	57.8	48.7	68.2
B	53.0	60.1	61.4	64.5	62.9	62.7	53.7	69.8
C	53.2	61.2	64.0	67.6	65.9	66.9	59.2	72.9
D	56.1	63.3	65.5	69.4	68.0	69.2	62.0	74.9
E	58.5	65.5	66.8	71.0	69.9	71.0	64.4	76.7
F	59.8	66.6	67.8	72.2	71.1	72.5	66.1	78.0

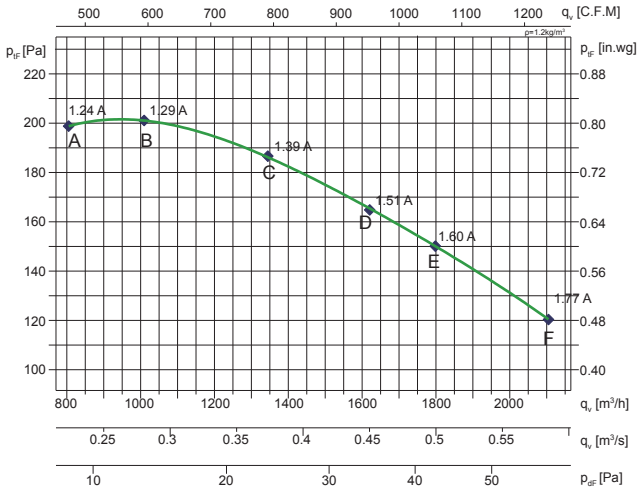
Overall Size 外形及安装尺寸



电机功率	375W-6	375W-4
L	93	66

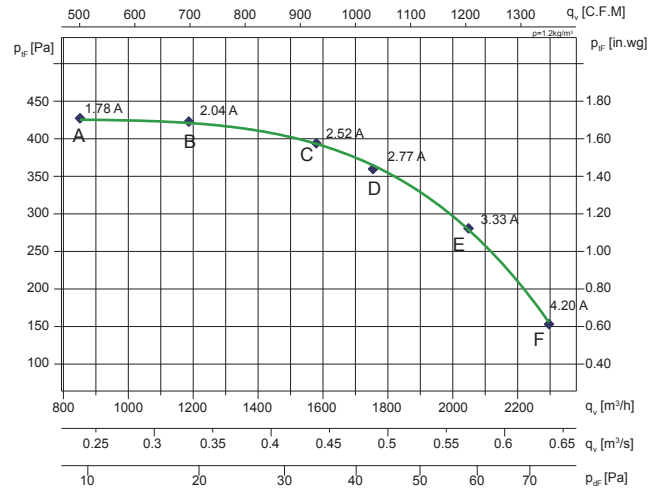
Technical Data 技术参数

SYZ 9-7 III 250w-6



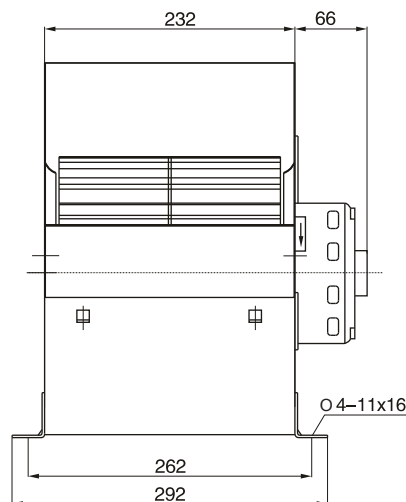
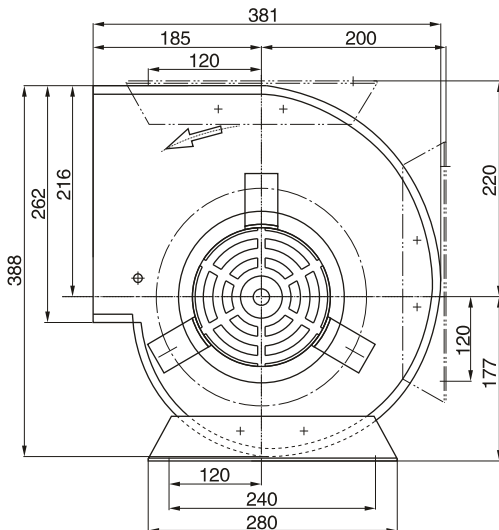
Type: SYZ 9-7 III	m: 11.7 kg	P_N : 250W-6P						
	U: 220 v	f_1 : 50HZ						
	I_N : 2.1 A	IP: IP20						
Duty point	125Hz	250Hz	500Hz	1kHz	2kHz	4kHz	8kHz	L_{wa} dB (A)
A	59.3	59.4	59.0	63.5	62.3	62.1	60.0	69.6
B	58.7	59.6	59.5	64.0	62.3	61.5	58.6	69.5
C	57.2	60.4	61.1	65.3	63.1	61.5	55.2	70.1
D	57.2	62.1	63.0	67.2	64.7	63.6	57.9	71.8
E	57.8	63.2	64.3	68.4	66.2	65.3	59.8	73.2
F	56.3	65.0	66.7	71.1	68.7	68.1	63.0	75.7

SYZ 9-7 III 375w-4



Type: SYZ 9-7 III	m: 13.3 kg	P_N : 375W-4P						
	U: 220 v	f_1 : 50HZ						
	I_N : 4.2 A	IP: IP20						
Duty point	125Hz	250Hz	500Hz	1kHz	2kHz	4kHz	8kHz	L_{wa} dB (A)
A	64.7	70.1	68.4	70.3	68.9	66.6	60.8	76.5
B	63.2	69.0	66.7	69.7	68.7	67.0	61.7	75.8
C	60.7	67.7	67.3	70.6	69.7	68.4	63.7	76.3
D	60.9	67.1	67.5	71.3	70.2	69.3	64.8	76.8
E	61.2	68.2	68.5	72.5	71.0	70.4	66.0	77.8
F	59.5	67.4	68.9	73.3	71.3	70.5	66.2	78.1

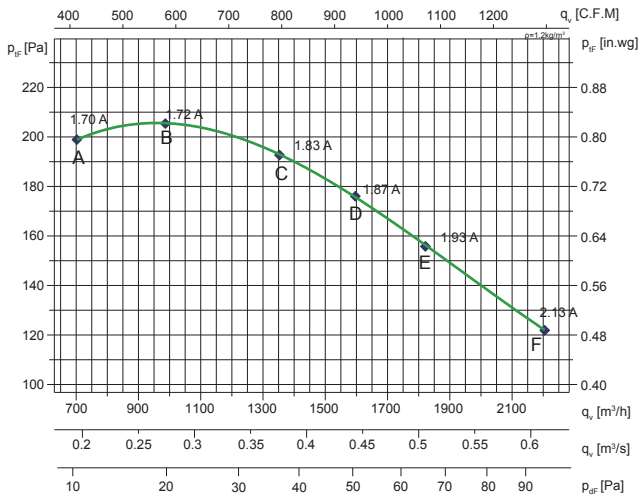
Overall Size 外形及安装尺寸



SYZ
SERIES

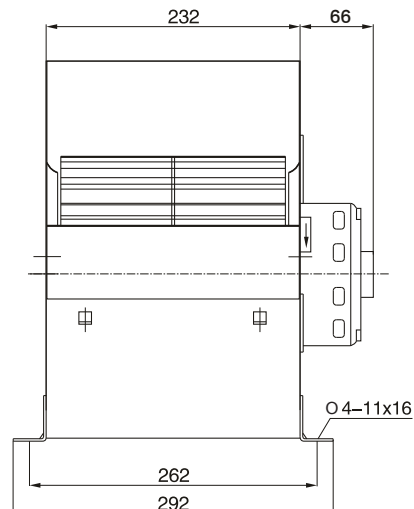
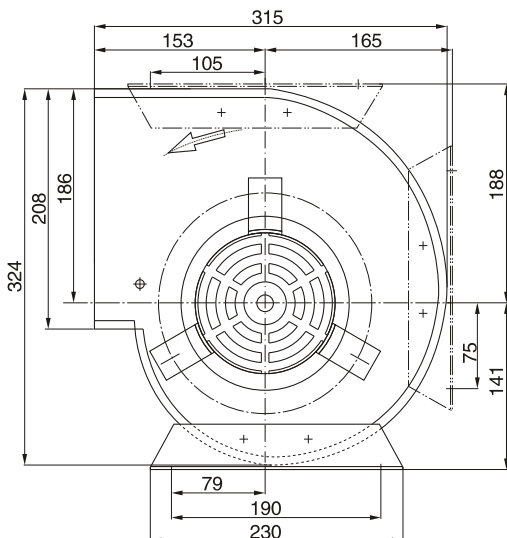
Technical Data 技术参数

SYZ 9-7 III 375w-6



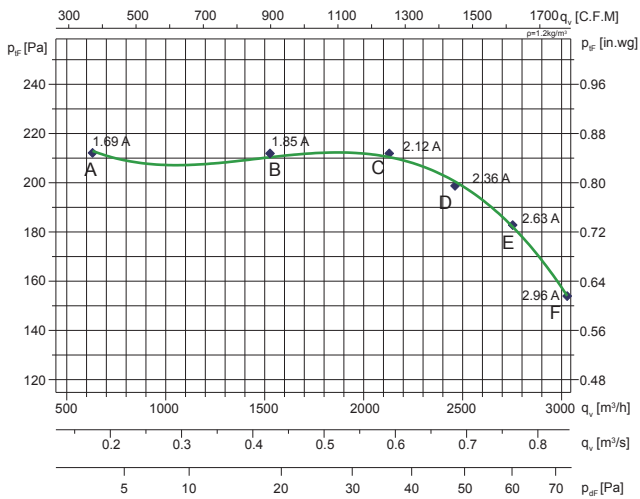
Type: SYZ 9-7 III	m: 8.85 kg	P_N : 90W-6P						
	U: 220 v	f_1 : 50HZ						
	I_N : 1.1 A	IP: IP20						
Duty point	125Hz	250Hz	500Hz	1kHz	2kHz	4kHz	8kHz	L_{wa} dB (A)
A	54.1	60.5	58.9	61.9	58.4	55.4	48.4	66.8
B	53.1	60.1	58.8	62.8	60.0	57.4	50.7	67.4
C	53.1	60.6	61.0	65.6	62.8	61.1	55.4	69.9
D	55.0	61.8	63.1	66.8	64.8	63.5	58.2	71.6
E	55.9	63.5	65.0	68.8	66.7	65.6	60.6	73.6
F	58.6	66.0	67.7	71.9	70.0	69.2	64.5	76.8

Overall Size 外形及安装尺寸



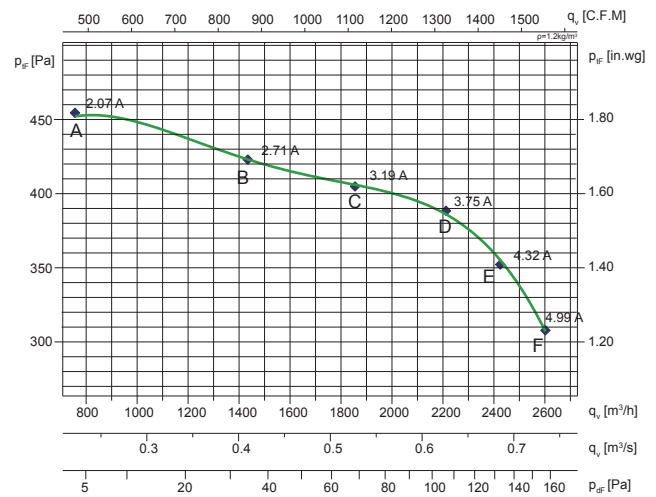
Technical Data 技术参数

SYZ 9-9 I 375w-6



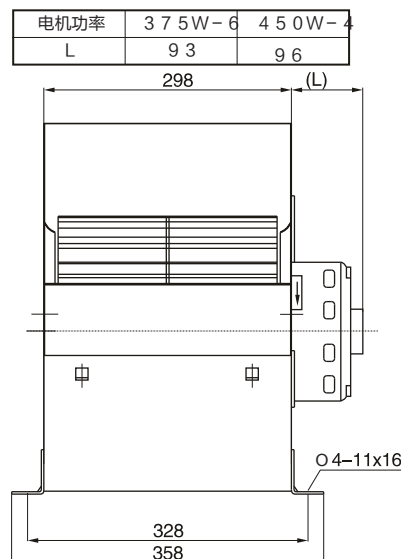
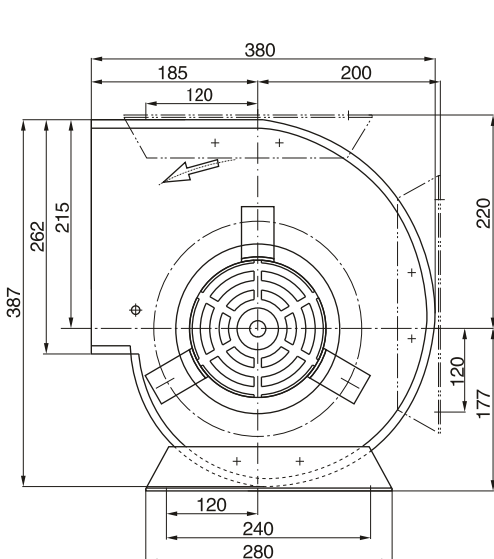
Type: SYZ 9-9 I	m: 16.55 kg	P_N : 375W-6P						
	U: 220 v	f_1 : 50HZ						
	I_N : 3.5 A	IP: IP20						
Duty point	125Hz	250Hz	500Hz	1kHz	2kHz	4kHz	8kHz	L_{WA} dB (A)
A	56.9	67.5	61.7	64.4	60.9	59.8	48.9	71.0
B	54.1	68.5	59.9	65.7	64.5	61.1	49.8	72.1
C	55.7	64.3	63.6	67.3	65.5	65.6	55.9	72.6
D	59.7	64.1	65.7	69.4	67.9	68.2	59.8	74.7
E	59.4	65.3	67.1	71.0	70.0	70.5	62.8	76.6
F	60.3	66.4	68.6	72.5	72.0	72.5	65.0	78.3

SYZ 9-9 I 450w-4



Type: SYZ 9-9 I	m: 16.75 kg	P_N : 450W-4P						
	U: 220 v	f_1 : 50HZ						
	I_N : 5.0 A	IP: IP20						
Duty point	125Hz	250Hz	500Hz	1kHz	2kHz	4kHz	8kHz	L_{WA} dB (A)
A	65.0	71.2	66.9	69.3	67.6	65.9	57.8	76.0
B	64.1	70.5	66.5	69.9	68.4	66.7	58.5	76.1
C	60.4	67.9	65.1	69.5	68.3	67.2	58.9	75.1
D	59.4	67.6	66.7	71.1	69.8	69.1	60.7	76.3
E	59.6	67.3	67.6	71.9	70.4	70.2	62.2	77.0
F	59.0	66.3	67.2	71.5	70.2	70.4	62.7	76.8

Overall Size 外形及安装尺寸

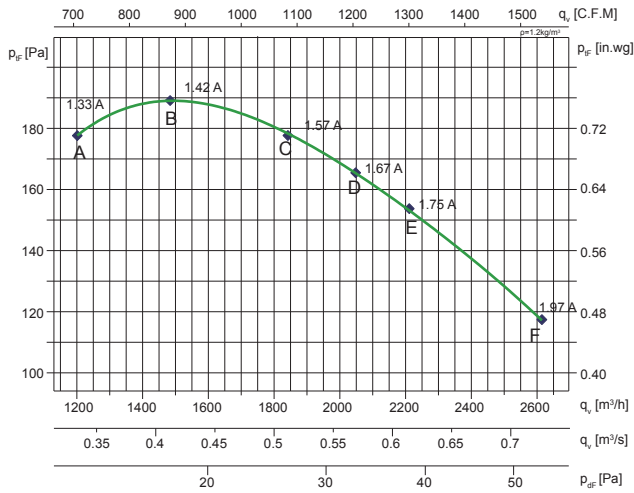


电机功率	375W-6	450W-4
L	93	96

SYZ
SERIES

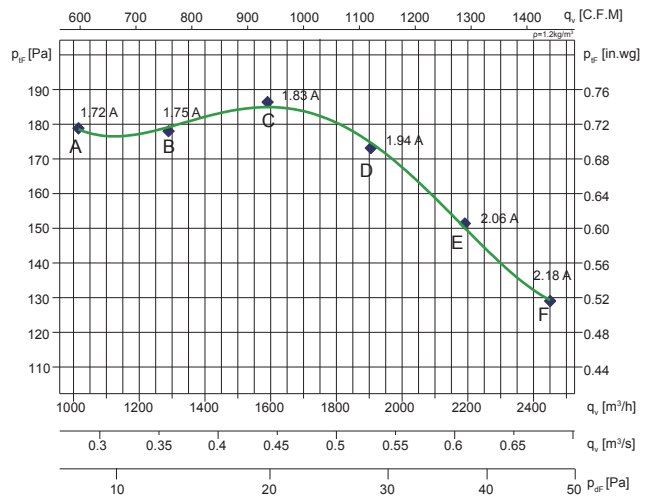
Technical Data 技术参数

SYZ 9-9 III 250w-6



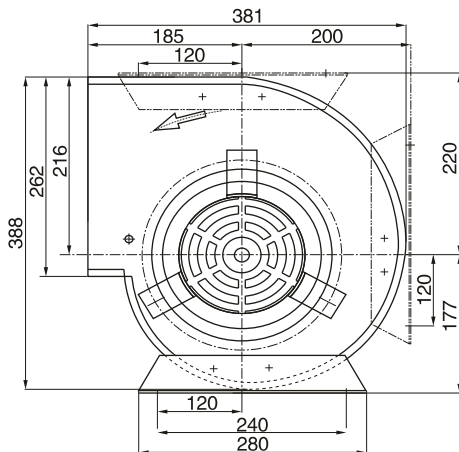
Type: SYZ 9-9 III	m: 12.3 kg		P _N : 250W-6P					
	U: 220 v		f ₁ : 50HZ					
	I _N : 2.1 A		IP: IP20					
Duty point	125Hz	250Hz	500Hz	1kHz	2kHz	4kHz	8kHz	L _{wa} dB (A)
A	57.3	60.5	58.7	60.9	58.9	56.4	50.3	67.0
B	55.6	60.4	59.1	62.0	60.7	58.5	52.7	67.7
C	55.8	60.9	61.5	64.2	62.9	61.4	55.9	69.7
D	57.5	62.7	63.2	65.7	64.7	63.3	58.0	71.5
E	57.8	63.4	64.4	66.8	65.8	64.6	59.4	72.5
F	59.6	65.8	66.8	69.6	68.9	68.1	62.4	75.4

SYZ 9-9 III 375w-6

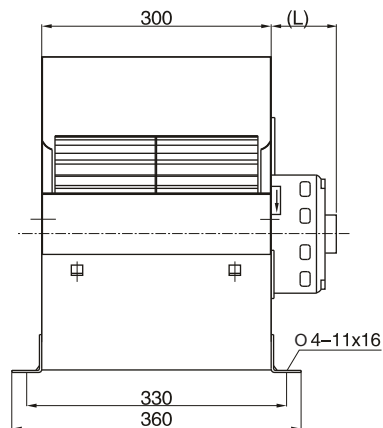


Type: SYZ 9-9 III	m: 14.75 kg		P _N : 375W-6P					
	U: 220 v		f ₁ : 50HZ					
	I _N : 3.5 A		IP: IP20					
Duty point	125Hz	250Hz	500Hz	1kHz	2kHz	4kHz	8kHz	L _{wa} dB (A)
A	60.8	66.2	61.3	61.8	59.4	57.5	50.6	69.9
B	60.3	65.5	61.0	62.3	60.3	58.7	52.8	69.8
C	58.7	63.6	61.6	64.3	63.8	61.7	55.6	70.6
D	59.1	64.2	63.6	65.8	64.4	63.2	58.0	71.8
E	60.4	65.0	65.7	68.2	66.9	65.8	60.7	73.9
F	60.8	65.9	67.2	70.1	68.8	68.0	62.9	75.6

Overall Size 外形及安装尺寸

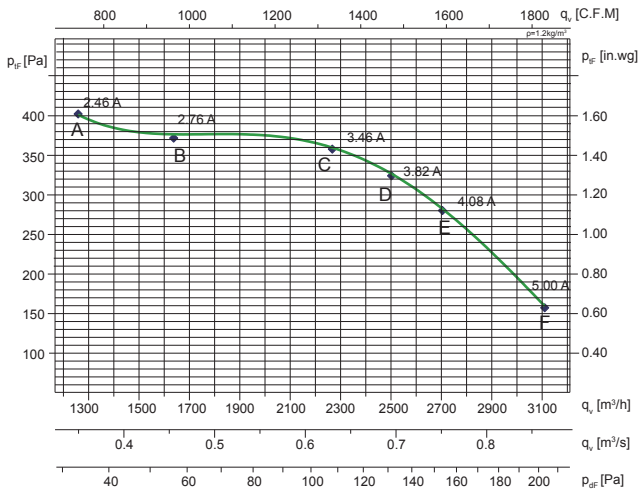


电机功率	250W-6	375W-6
L	66	93



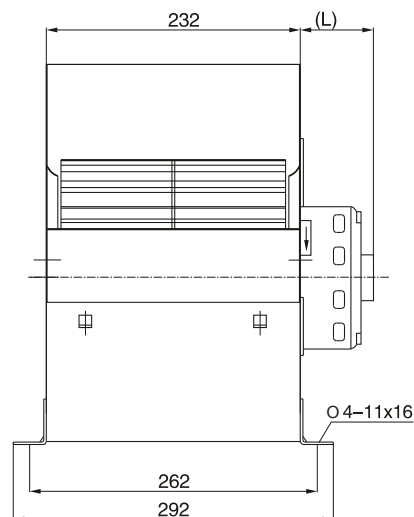
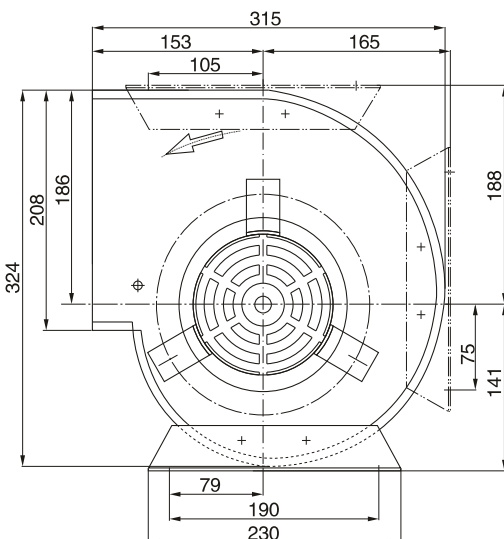
Technical Data 技术参数

SYZ 9-9 III 450w-4



Type: SYZ 9-9 III	m: 14.95 kg		P _N : 450W-4P					
	U: 220 v		f _i : 50HZ					
	I _N : 5.0 A		IP: IP20					
Duty point	125Hz	250Hz	500Hz	1kHz	2kHz	4kHz	8kHz	L _{WA} dB (A)
A	67.9	72.3	69.9	71.2	69.5	67.5	61.7	77.9
B	67.7	71.4	68.6	70.1	68.7	67.1	62.1	77.1
C	62.8	69.9	69.6	72.1	70.9	69.4	64.7	77.9
D	62.9	71.4	70.5	73.6	71.7	70.5	65.8	79.0
E	63.4	70.5	70.3	73.8	72.5	71.6	66.8	79.3
F	63.4	72.4	71.8	76.1	73.9	73.3	68.4	81.1

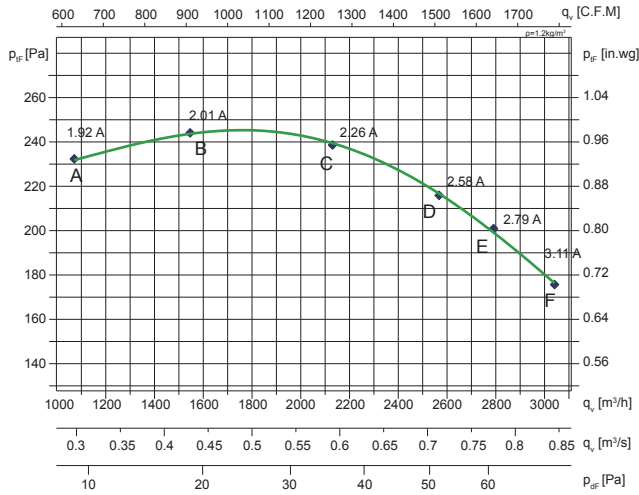
Overall Size 外形及安装尺寸



SYZ
SERIES

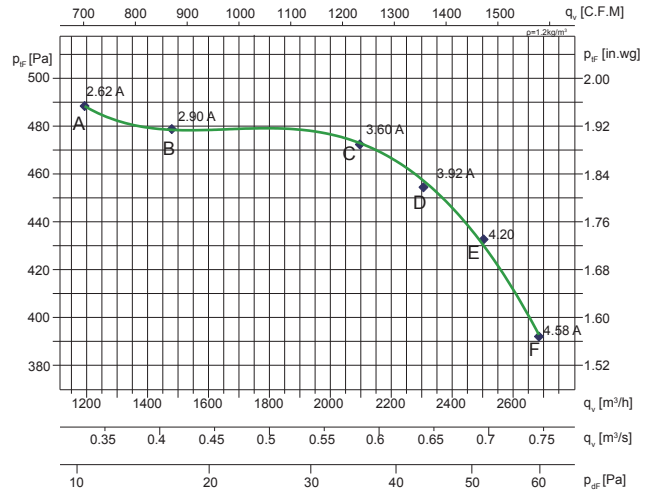
Technical Data 技术参数

SYZ 10-8 | 375w-4



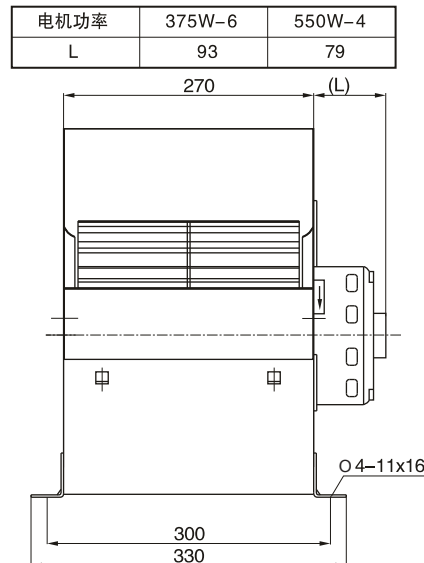
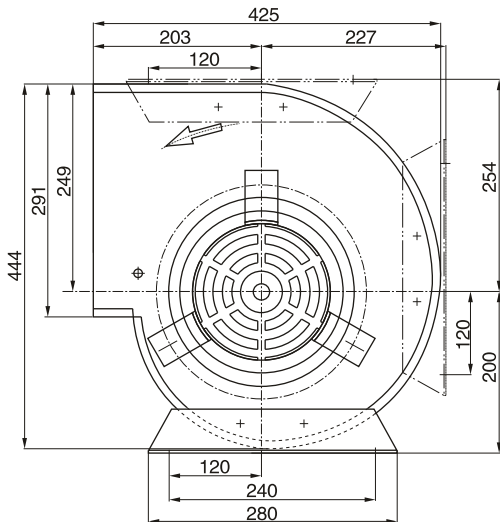
Type: SYZ 10-8 I	m: 17.1 kg	P_N : 375W-6P						
	U: 220 v	f_1 : 50HZ						
	I_N : 3.5 A	IP: IP20						
Duty point	125Hz	250Hz	500Hz	1kHz	2kHz	4kHz	8kHz	L_{wa} dB (A)
A	63.3	62.7	61.5	63.0	61.0	58.5	47.5	69.8
B	61.6	62.0	61.3	64.3	62.3	60.7	50.2	70.0
C	58.7	62.2	62.6	66.5	65.0	64.6	55.0	71.8
D	58.7	63.4	65.1	69.0	68.0	68.0	59.5	74.4
E	59.1	64.6	66.3	70.5	69.9	69.8	61.8	76.0
F	59.3	65.6	67.7	72.1	71.8	71.8	64.3	77.8

SYZ 10-8 | 550w-4



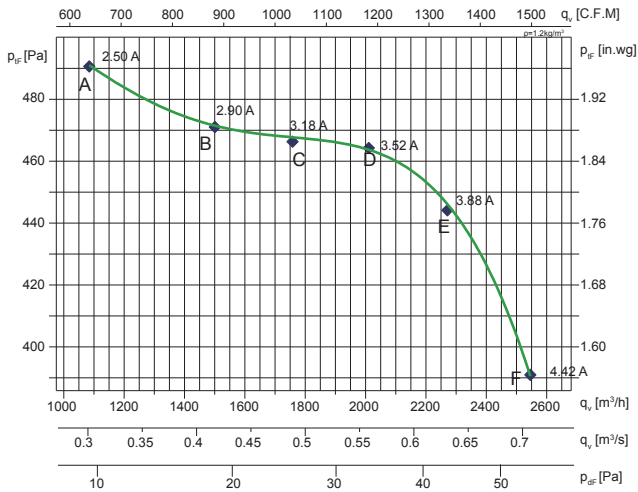
Type: SYZ 10-8 I	m: 17.65 kg	P_N : 450W-4P						
	U: 220 v	f_1 : 50HZ						
	I_N : 4.9 A	IP: IP20						
Duty point	125Hz	250Hz	500Hz	1kHz	2kHz	4kHz	8kHz	L_{wa} dB (A)
A	66.6	71.5	68.1	70.8	69.2	68.3	60.5	77.3
B	66.6	71.5	68.1	70.8	69.2	68.3	60.5	77.3
C	60.3	68.2	66.1	72.0	69.8	69.6	62.2	76.8
D	60.6	68.2	66.5	73.0	70.4	70.3	63.0	77.5
E	60.1	68.1	66.7	72.7	70.5	70.6	63.3	77.5
F	60.2	67.8	67.3	72.7	71.0	71.0	63.6	77.7

Overall Size 外形及安装尺寸



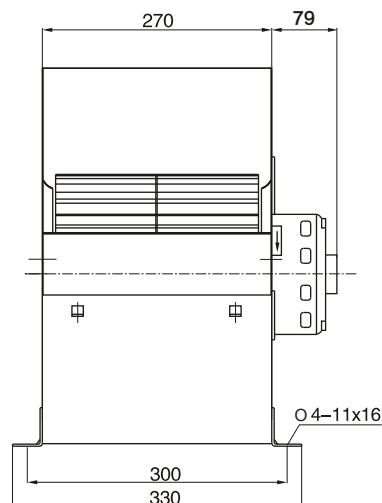
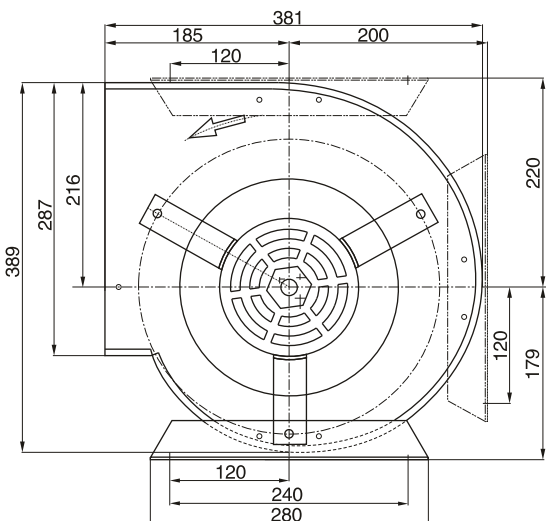
Technical Data 技术参数

SYZ 10-8 II 550w-4



Type: SYZ 10-8 II	m: 16.75 kg		P _N : 550W-4P					
	U: 220 v		f ₁ : 50HZ					
	I _N : 4.9 A		IP: IP20					
Duty point	125Hz	250Hz	500Hz	1kHz	2kHz	4kHz	8kHz	L _{WA} dB (A)
A	65.0	70.8	68.6	70.4	68.0	67.3	59.3	76.6
B	64.8	71.1	68.8	71.5	68.6	68.4	60.7	77.3
C	61.9	68.9	66.8	71.3	68.6	69.0	61.6	76.5
D	59.7	67.1	67.1	72.0	69.6	70.2	62.9	76.9
E	58.5	66.3	67.2	73.1	70.5	71.3	64.2	77.6
F	59.3	66.4	67.5	74.2	71.6	72.5	65.6	78.6

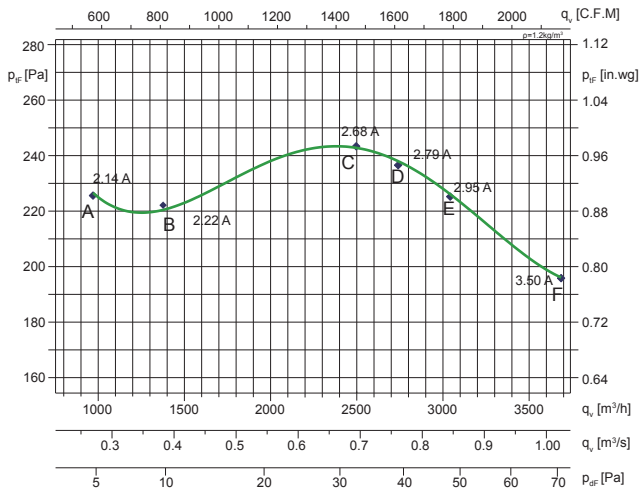
Overall Size 外形及安装尺寸



SYZ
SERIES

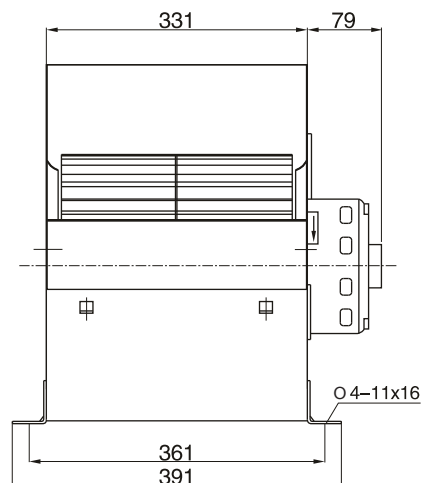
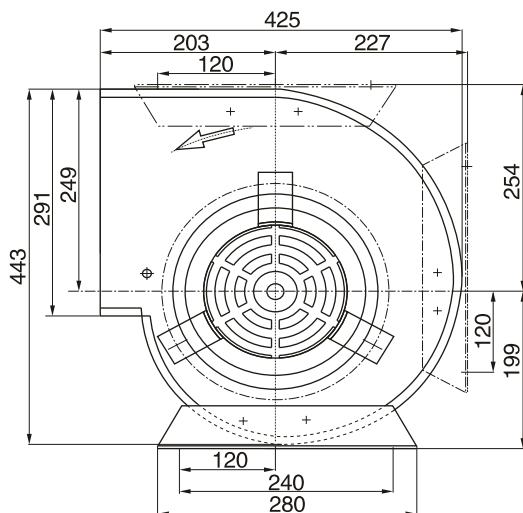
Technical Data 技术参数

SYZ 10-10 I 450w-6



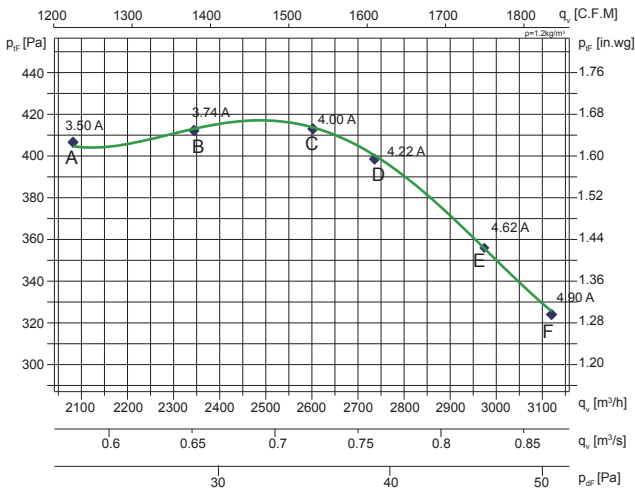
Type: SYZ 10-10 I	m: 18.3 kg	P_N : 450W-6P						
	U: 220 v	f_1 : 50HZ						
	I_N : 3.5 A	IP: IP20						
Duty point	125Hz	250Hz	500Hz	1kHz	2kHz	4kHz	8kHz	L_{wA} dB (A)
A	60.7	70.6	62.1	62.4	60.5	57.9	48.7	72.5
B	60.8	68.1	61.8	63.6	62.1	59.7	50.7	71.5
C	58.7	63.2	62.6	66.6	65.9	64.4	57.2	72.1
D	59.1	64.0	62.2	66.2	65.3	63.6	56.4	71.8
E	59.9	65.2	65.2	69.5	69.0	67.7	61.6	75.0
F	63.0	68.3	68.9	73.7	72.9	71.5	65.7	78.9

Overall Size 外形及安装尺寸



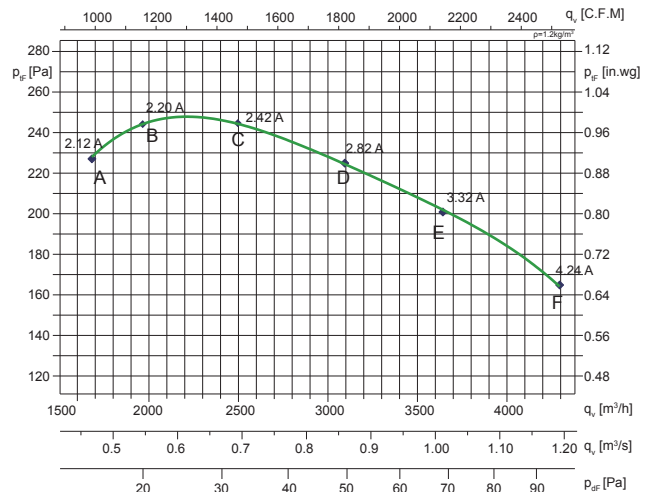
Technical Data 技术参数

SYZ 10-10 I 550w-4



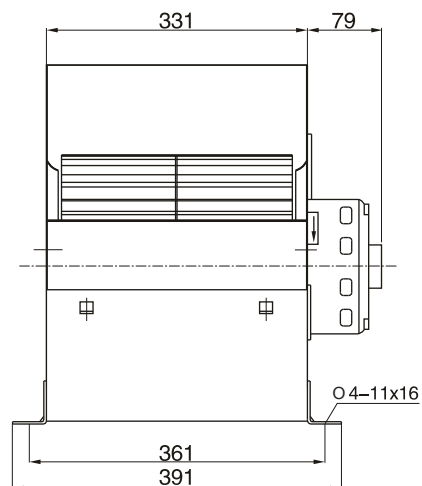
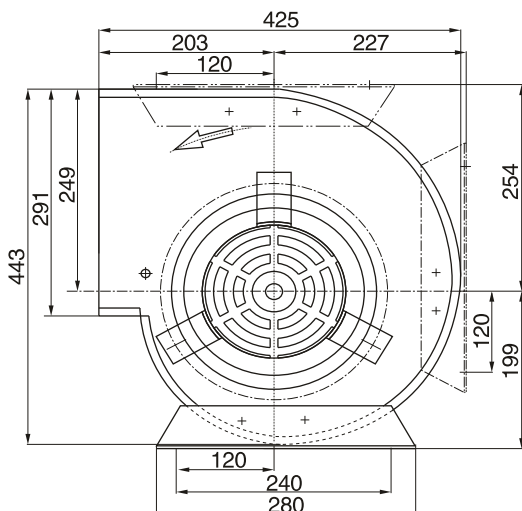
Type: SYZ 10-10 I	m: 18.75 kg		P _N : 550W-4P					
	U: 220 v		f ₁ : 50HZ					
	I _N : 4.9 A		IP: IP20					
Duty point	125Hz	250Hz	500Hz	1kHz	2kHz	4kHz	8kHz	L _{WA} dB (A)
A	63.5	71.3	68.7	69.4	68.1	66.2	59.4	76.0
B	60.6	68.6	70.8	66.6	65.7	63.5	55.8	75.0
C	58.1	66.3	61.9	64.5	63.4	61.1	53.1	71.1
D	56.7	63.6	60.5	63.6	62.4	60.1	52.1	69.6
E	52.9	59.5	58.8	62.4	61.1	58.5	50.1	67.5
F	51.1	57.0	60.3	60.6	59.6	56.9	48.3	66.4

SYZ 10-10 I 550w-6



Type: SYZ 10-10 I	m: 19.45 kg		P _N : 550W-6P					
	U: 220 v		f ₁ : 50HZ					
	I _N : 4.7 A		IP: IP20					
Duty point	125Hz	250Hz	500Hz	1kHz	2kHz	4kHz	8kHz	L _{WA} dB (A)
A	66.0	65.6	64.9	75.6	69.0	72.0	72.1	79.4
B	66.0	64.7	64.4	72.8	68.9	71.3	71.0	77.9
C	61.7	64.2	70.7	69.6	67.3	67.6	66.9	76.1
D	60.7	65.7	66.0	72.0	69.7	68.9	65.5	76.6
E	63.0	68.4	69.1	74.9	72.9	72.3	68.9	79.6
F	69.1	72.0	72.9	77.9	77.2	77.1	75.1	83.8

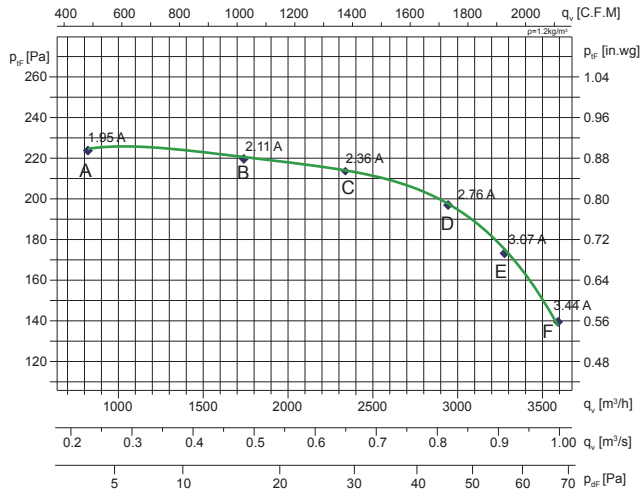
Overall Size 外形及安装尺寸



SYZ
SERIES

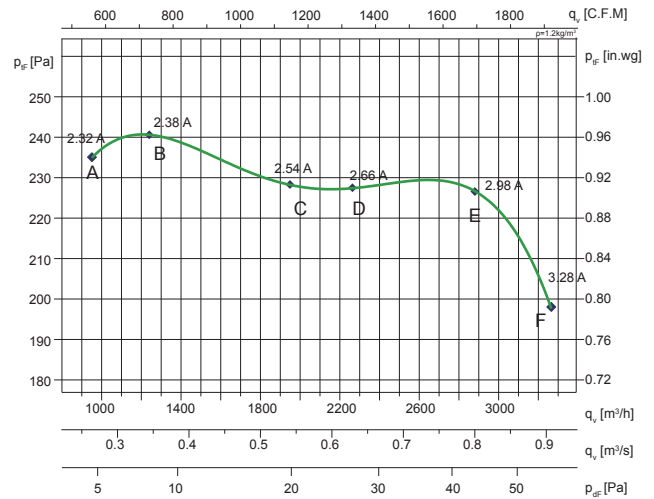
Technical Data 技术参数

SYZ 10-10 II 375w-6



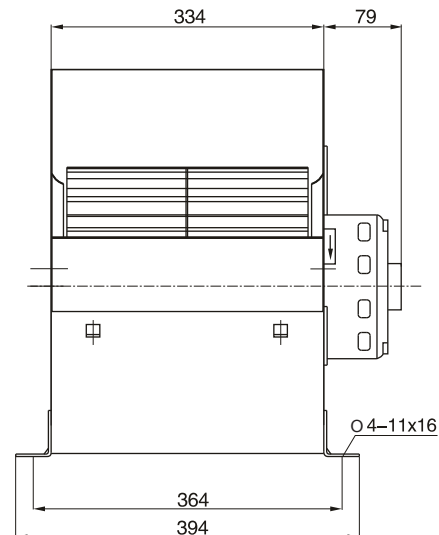
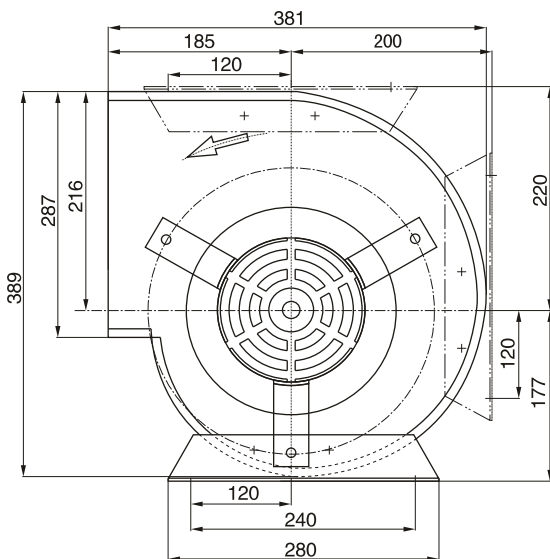
Type: SYZ 10-10 II	m: 16.5 kg	P_N : 375W-6P						
	U: 220 v	f_1 : 50HZ						
	I_N : 3.5 A	IP: IP20						
Duty point	125Hz	250Hz	500Hz	1kHz	2kHz	4kHz	8kHz	L_{WA} dB (A)
A	60.3	67.6	63.0	64.6	62.2	61.0	52.3	71.7
B	58.0	67.4	63.0	66.2	66.3	63.9	54.6	72.8
C	56.9	64.9	64.6	69.0	68.2	66.6	58.6	74.2
D	57.3	65.8	66.1	71.5	71.2	70.0	61.9	76.7
E	58.0	67.0	67.5	72.5	73.1	72.1	63.9	78.3
F	59.5	68.3	68.8	73.6	74.6	74.2	65.6	79.9

SYZ 10-10 II 450w-6



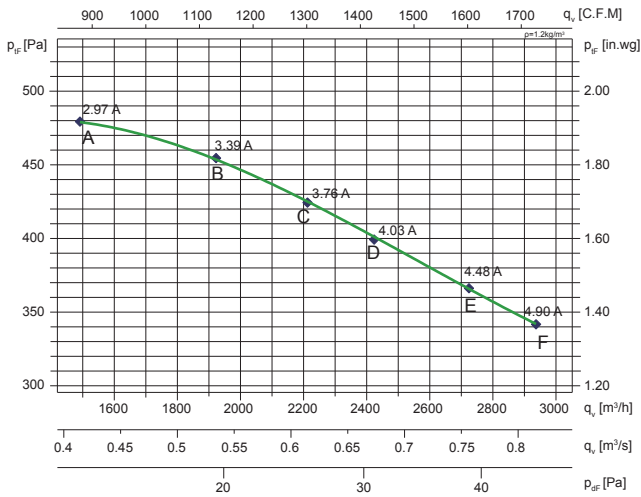
Type: SYZ 10-10 II	m: 17.25 kg	P_N : 450W-4P						
	U: 220 v	f_1 : 50HZ						
	I_N : 3.7 A	IP: IP20						
Duty point	125Hz	250Hz	500Hz	1kHz	2kHz	4kHz	8kHz	L_{WA} dB (A)
A	59.3	75.8	61.8	64.0	61.7	58.2	48.2	76.6
B	59.2	76.2	62.0	64.6	62.5	59.2	49.7	77.0
C	57.5	75.0	62.2	67.1	66.0	63.8	55.7	76.6
D	56.2	72.3	63.4	68.1	67.8	65.8	57.9	75.6
E	57.0	69.5	65.9	71.6	71.0	69.7	61.8	77.1
F	58.5	67.9	67.5	73.5	73.1	72.3	64.2	78.8

Overall Size 外形及安装尺寸



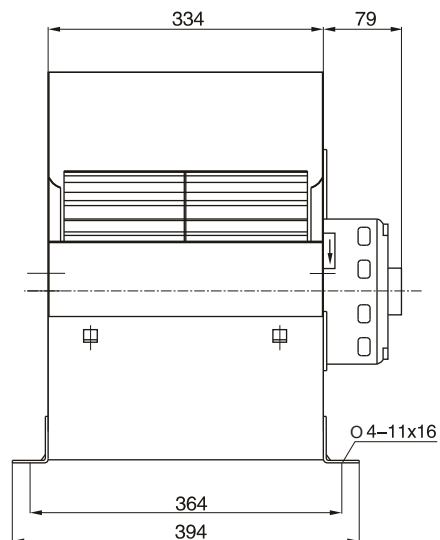
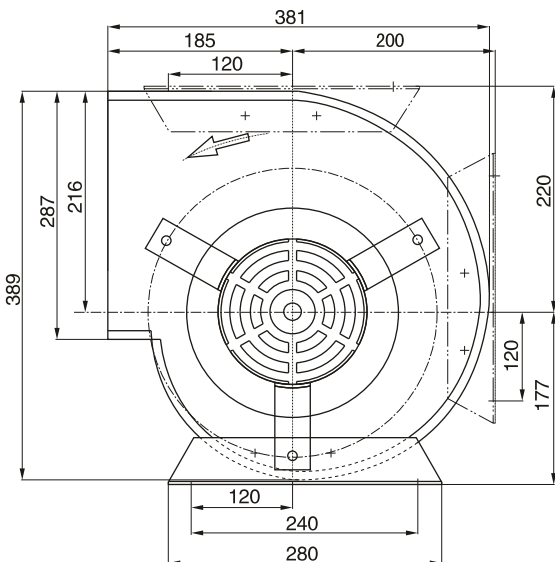
Technical Data 技术参数

SYZ 10-10 II 550w-4



Type: SYZ 10-10 II	m: 17.7 kg		P _N : 550W-4P					
	U: 220 v		f _i : 50HZ					
	I _N : 4.9 A		IP: IP20					
Duty point	125Hz	250Hz	500Hz	1kHz	2kHz	4kHz	8kHz	L _w dB (A)
A	53.5	58.7	61.3	66.2	67.7	62.6	53.3	71.6
B	62.4	70.8	68.2	71.1	70.7	68.9	61.3	77.3
C	61.1	69.4	66.3	70.5	70.4	69.3	62.0	76.7
D	59.4	68.6	65.7	70.7	70.4	69.6	62.4	76.6
E	57.8	67.4	65.8	71.8	70.7	70.2	63.2	76.9
F	56.8	66.7	65.8	71.1	70.9	70.5	63.5	76.8

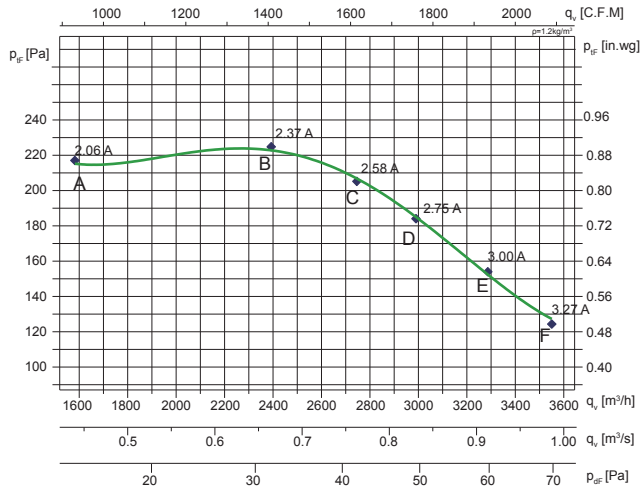
Overall Size 外形及安装尺寸



SYZ
SERIES

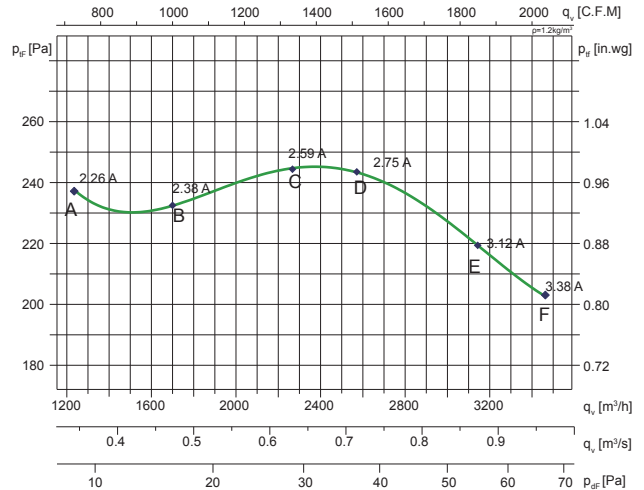
Technical Data 技术参数

SYZ 10-10 III 375w-6



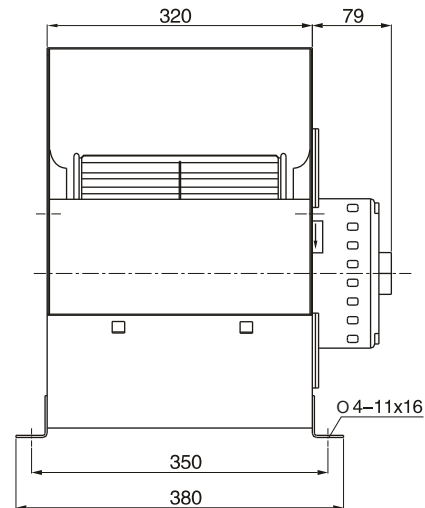
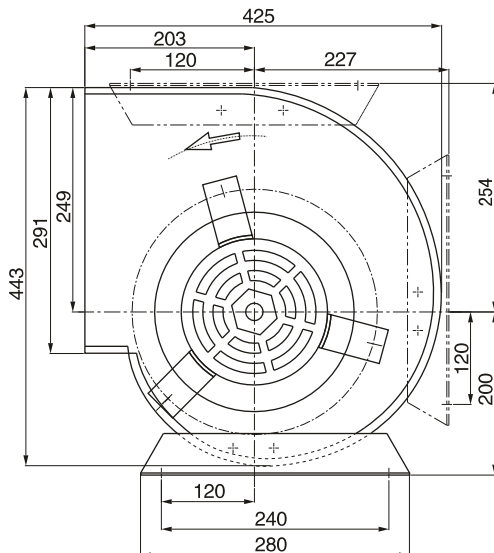
Type: SYZ 10-10 III	m: 15.4 kg	P_N : 375W-6P						
	U: 220 v	f_1 : 50HZ						
	I_N : 3.5 A	IP: IP20						
Duty point	125Hz	250Hz	500Hz	1kHz	2kHz	4kHz	8kHz	L_{wa} dB (A)
A	60.4	67.0	63.3	66.2	64.5	61.7	53.1	72.3
B	58.1	66.9	63.6	67.9	66.4	64.5	59.5	73.4
C	58.8	67.1	64.7	68.4	67.1	64.7	57.8	73.9
D	58.5	67.6	66.1	69.5	68.5	66.1	59.6	75.0
E	61.0	69.4	67.4	70.8	70.4	67.7	61.4	76.6
F	61.8	70.2	69.5	72.5	71.9	69.3	63.2	78.1

SYZ 10-10 III 450w-6



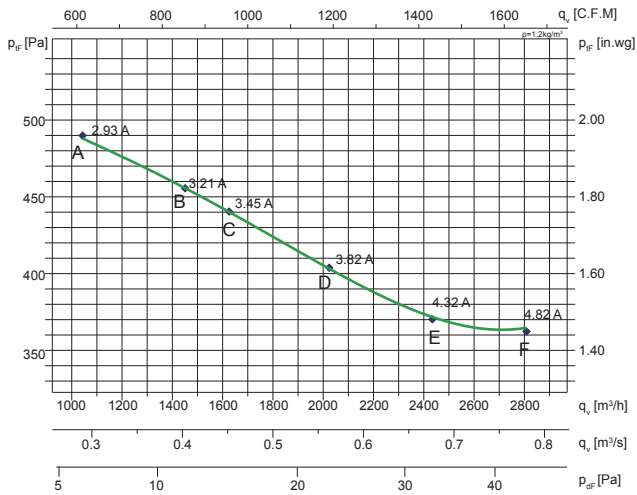
Type: SYZ 10-10 III	m: 16.25 kg	P_N : 450W-6P						
	U: 220 v	f_1 : 50HZ						
	I_N : 3.7 A	IP: IP20						
Duty point	125Hz	250Hz	500Hz	1kHz	2kHz	4kHz	8kHz	L_{wa} dB (A)
A	65.3	69.8	66.0	66.8	64.6	62.3	53.9	74.2
B	64.6	70.5	65.0	67.0	64.8	62.3	54.7	74.4
C	61.3	69.3	64.5	67.9	66.1	63.9	56.9	74.1
D	60.8	68.0	65.0	68.7	67.1	65.1	58.2	74.3
E	60.2	68.2	67.0	71.1	69.8	67.6	61.4	76.3
F	61.9	70.8	68.7	72.5	71.5	69.4	63.3	78.0

Overall Size 外形及安装尺寸



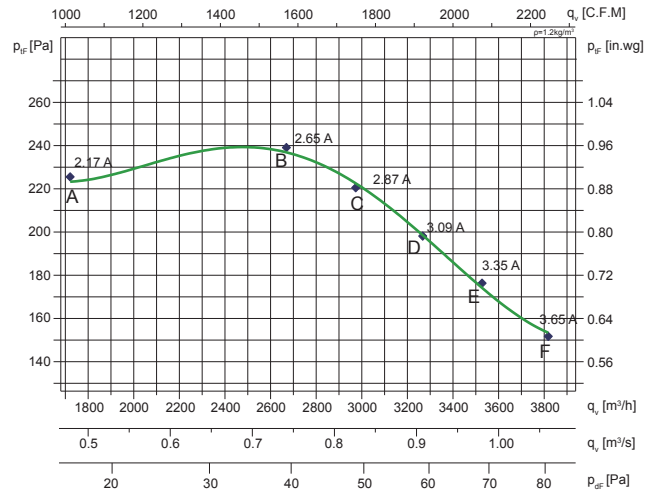
Technical Data 技术参数

SYZ 10-10 III 550w-4



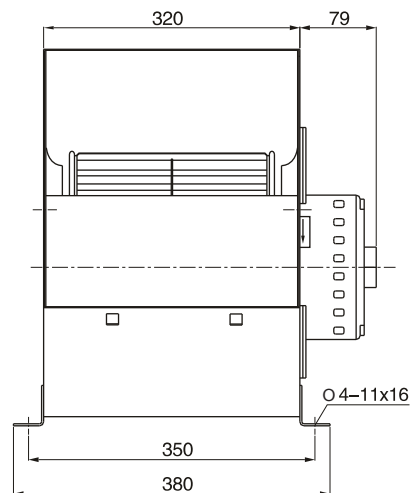
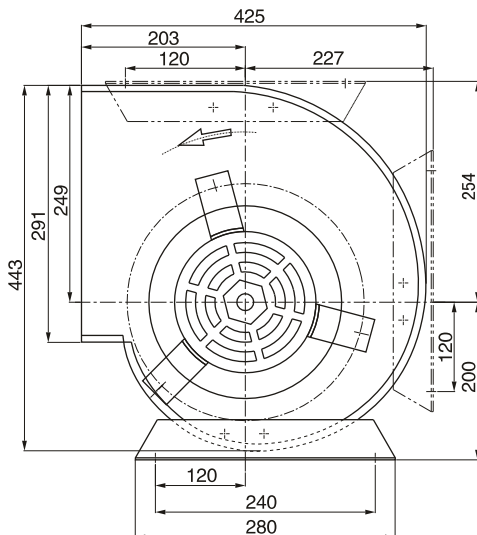
Type: SYZ 10-10 III	m: 16.7 kg		P _N : 550W-4P					
	U: 220 v		f ₁ : 50HZ					
	I _N : 4.9 A		IP: IP20					
Duty point	125Hz	250Hz	500Hz	1kHz	2kHz	4kHz	8kHz	L _{wa} dB (A)
A	69.6	76.3	72.4	74.1	73.2	71.0	64.4	81.2
B	69.2	75.6	70.8	73.1	72.1	69.7	63.5	80.2
C	68.8	76.2	72.0	73.8	72.9	70.5	63.9	80.9
D	67.9	74.4	69.9	72.6	71.5	69.0	62.9	79.3
E	64.8	72.2	67.8	72.0	70.7	68.4	62.4	77.9
F	63.4	71.1	67.4	72.0	71.0	68.8	62.5	77.6

SYZ 10-10 III 550w-6



Type: SYZ 10-10 III	m: 18.3 kg		P _N : 550W-6P					
	U: 220 v		f ₁ : 50HZ					
	I _N : 4.7 A		IP: IP20					
Duty point	125Hz	250Hz	500Hz	1kHz	2kHz	4kHz	8kHz	L _{wa} dB (A)
A	61.7	71.1	64.0	66.8	64.2	62.0	54.8	74.2
B	59.8	69.4	65.8	69.6	68.2	65.9	59.3	75.3
C	61.9	69.6	67.2	71.1	69.6	67.3	60.8	76.5
D	61.3	70.9	68.4	72.3	71.2	69.1	62.6	77.8
E	63.1	71.4	69.8	73.5	72.8	70.8	64.4	79.1
F	63.5	71.4	71.4	75.2	74.4	72.6	66.1	80.5

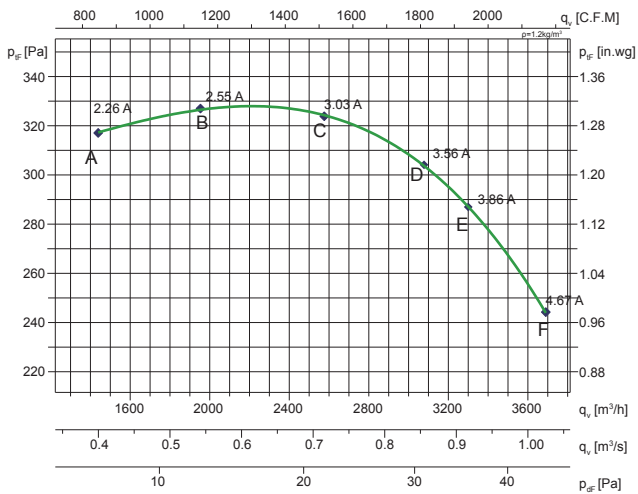
Overall Size 外形及安装尺寸



SYZ
SERIES

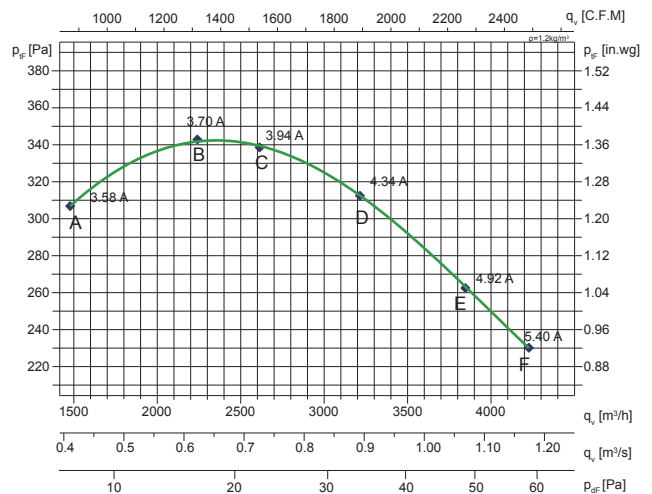
Technical Data 技术参数

SYZ 12-9 | 550w-6



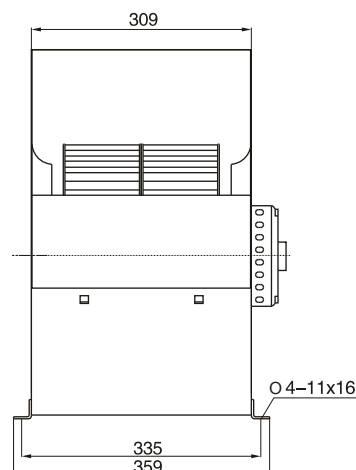
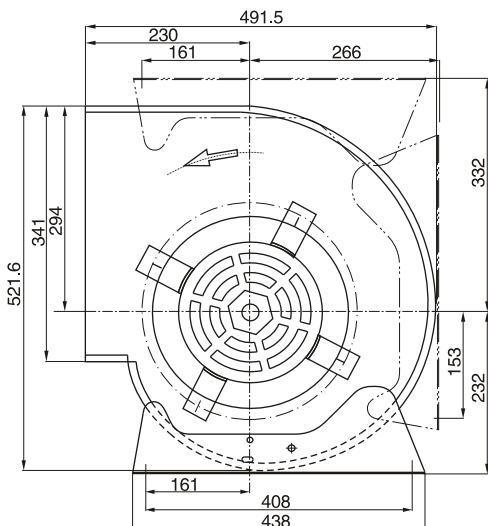
Type: SYZ 12-9 I	m: 22.4 kg		P _N : 550W-6P					
	U: 220 v		f ₁ : 50HZ					
	I _N : 4.7 A		IP: IP20					
Duty point	125Hz	250Hz	500Hz	1kHz	2kHz	4kHz	8kHz	L _{wa} dB (A)
A	60.9	69.7	64.8	66.7	63.8	62.5	52.7	73.5
B	61.6	67.0	64.8	67.4	65.0	64.0	53.6	73.2
C	61.4	66.7	66.5	68.5	66.7	65.8	55.1	74.2
D	60.6	65.6	68.6	70.1	68.4	68.3	57.5	75.6
E	61.8	65.5	68.8	70.8	69.4	69.5	59.4	76.3
F	62.6	65.5	69.7	71.8	70.7	71.1	62.4	77.5

SYZ 12-9 | 750w-6



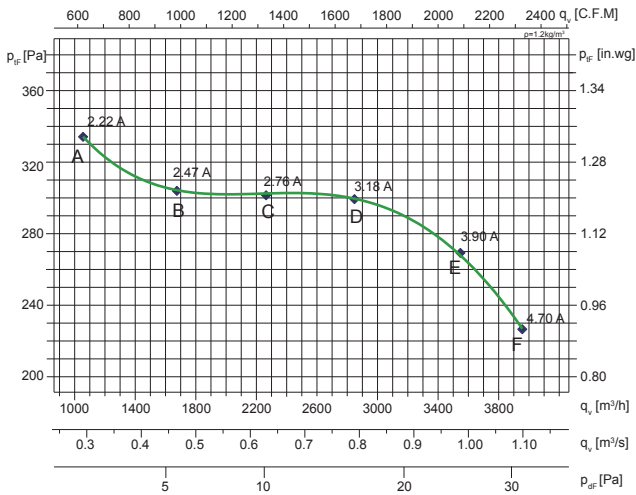
Type: SYZ 12-9 I	m: 22.8 kg		P _N : 750W-6P					
	U: 220 v		f ₁ : 50HZ					
	I _N : 5.4 A		IP: IP20					
Duty point	125Hz	250Hz	500Hz	1kHz	2kHz	4kHz	8kHz	L _{wa} dB (A)
A	61.9	66.3	65.4	67.4	63.9	62.4	52.7	72.8
B	62.2	66.2	65.7	68.1	65.3	64.3	55.1	73.5
C	62.3	67.0	66.6	68.9	66.3	65.6	56.8	74.4
D	65.8	68.1	69.3	71.5	68.8	68.4	60.3	76.8
E	63.8	71.7	71.9	75.0	72.3	71.7	63.8	79.9
F	62.4	70.0	72.1	76.2	73.5	73.2	65.4	80.7

Overall Size 外形及安装尺寸



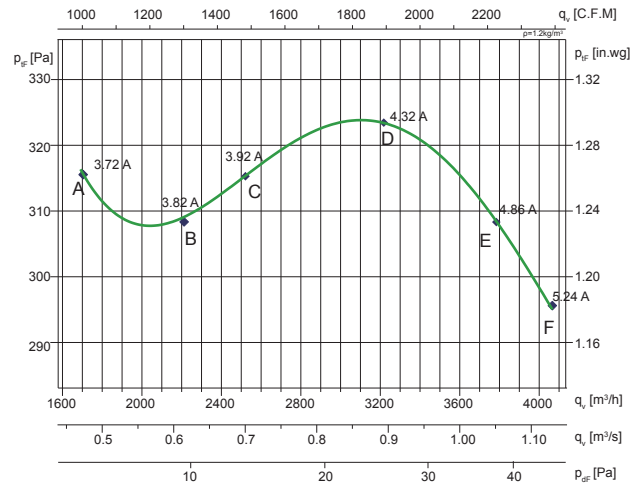
Technical Data 技术参数

SYZ 12-12 I 550w-6



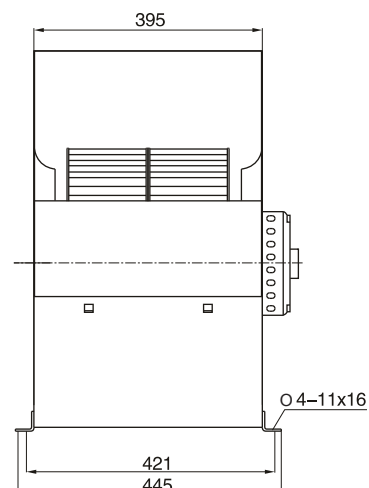
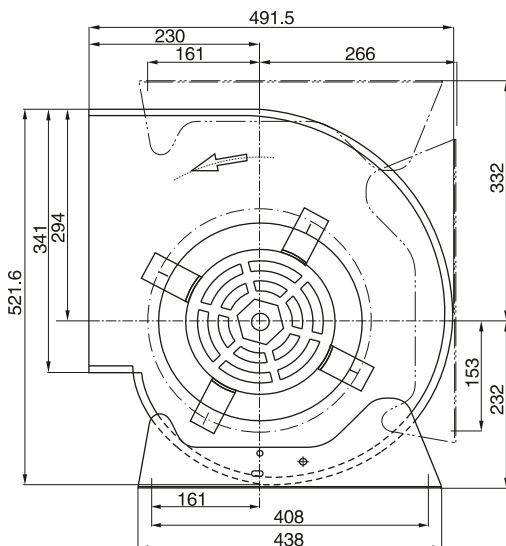
Type: SYZ 12-12 I	m: 22.8 kg	P _N : 550W-6P						
	U: 220 v	f ₁ : 50HZ						
	I _N : 4.7 A	IP: IP20						
Duty point	125Hz	250Hz	500Hz	1kHz	2kHz	4kHz	8kHz	L _{wa} dB (A)
A	61.3	71.6	65.7	66.2	64.4	62.7	54.0	74.5
B	62.0	65.7	64.8	65.9	63.5	61.5	52.6	72.1
C	61.7	67.4	64.3	65.9	64.0	62.3	53.0	72.5
D	61.8	66.7	65.2	66.9	65.7	64.0	54.3	73.2
E	61.9	64.1	66.2	67.2	66.0	64.4	55.6	73.1
F	61.2	64.0	66.9	68.0	67.3	65.9	58.3	74.0

SYZ 12-12 I 750w-6



Type: SYZ 12-12 I	m: 24.4 kg	P _N : 750W-6P						
	U: 220 v	f ₁ : 50HZ						
	I _N : 5.4 A	IP: IP20						
Duty point	125Hz	250Hz	500Hz	1kHz	2kHz	4kHz	8kHz	L _{wa} dB (A)
A	64.3	80.8	68.7	65.6	64.1	62.1	54.3	81.4
B	64.9	83.8	66.8	66.2	64.4	62.2	54.2	84.1
C	62.2	72.3	70.4	69.3	64.9	63.4	55.3	76.4
D	62.5	73.0	65.8	66.9	66.1	64.8	56.2	75.8
E	62.9	71.7	67.4	68.1	67.8	66.6	61.0	76.1
F	62.4	67.3	67.8	68.8	69.0	67.8	62.9	75.6

Overall Size 外形及安装尺寸



SYZ
SERIES

目录

CONTENTS

SYZ系列风机产品说明

Explanation of SYZ Series Ventilator Products

01-04

SYZ系列风机性能曲线

SYZ Series Ventilator Performance Chart

05-27

扉页

